

P17 Tempra PRO

A RANGE
YOU CAN
RELY ON



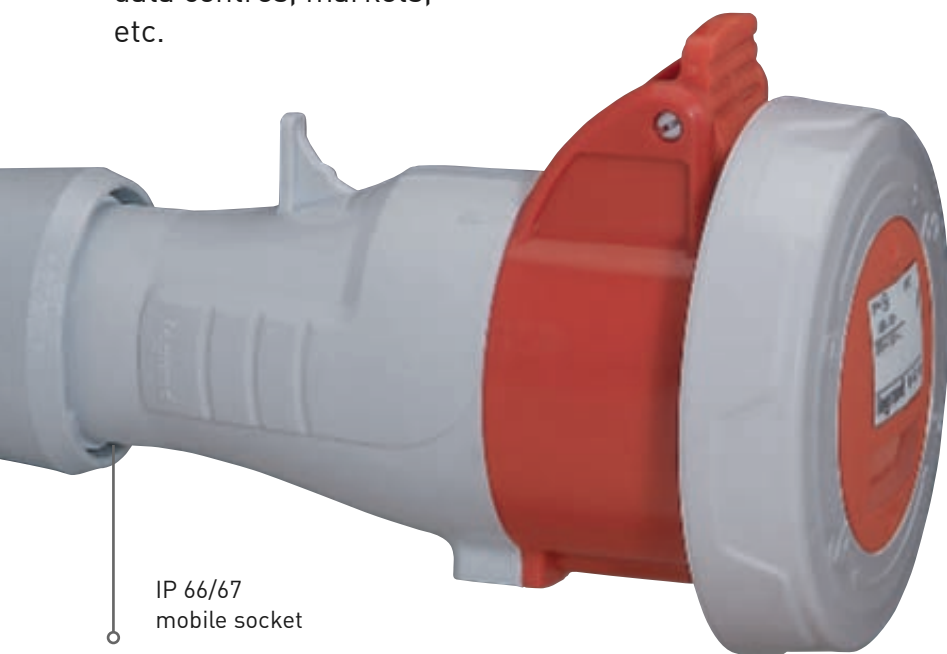
--> [CATALOGUE PAGES INSIDE](#)

GLOBAL SPECIALIST
IN ELECTRICAL AND DIGITAL BUILDING INFRASTRUCTURES

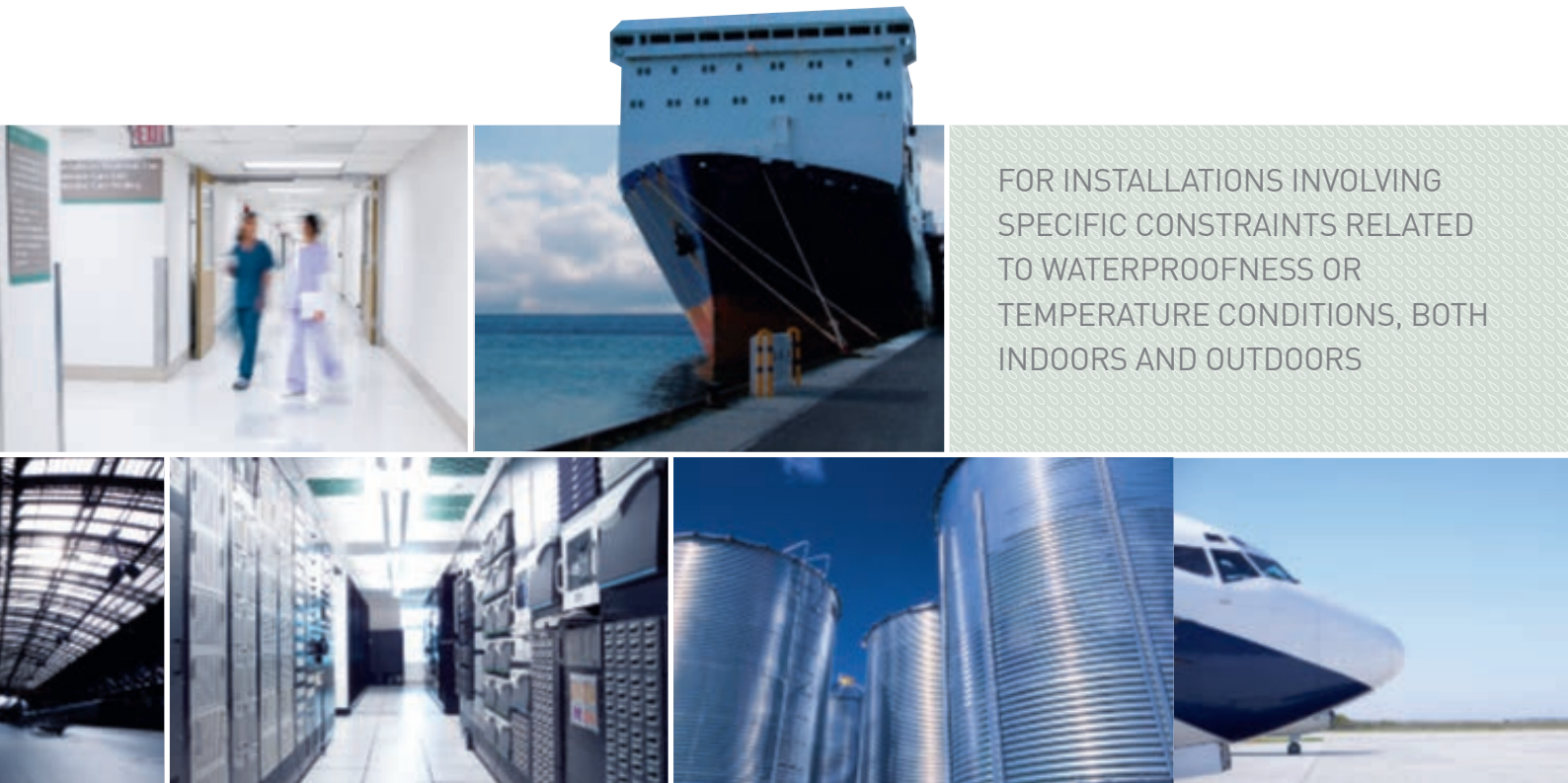
 **legrand**[®]

P17 TEMPRA PRO, suitable for all environments

The P17 Tempra Pro range incorporates numerous benefits for optimum commissioning of installations and increased user safety. More than ever before, the new range is highly recommended for all sites involving specific constraints related to waterproofness, impact resistance or temperature conditions, both indoors and outdoors: shopping centres, hospitals, office buildings, food-processing facilities, industry, transportation, data centres, markets, etc.



IP 66/67
mobile socket



FOR INSTALLATIONS INVOLVING SPECIFIC CONSTRAINTS RELATED TO WATERPROOFNESS OR TEMPERATURE CONDITIONS, BOTH INDOORS AND OUTDOORS

CONTENTS

| | |
|------------------------------|----|
| Continuity of service..... | 2 |
| Quick implementation | 4 |
| Ease of use and safety | 6 |
| Accessories | 8 |
| Catalogue pages..... | 10 |

P17 TEMPRA PRO, always ensuring continuity of service

By updating its IP44 and IP 66/67 range of industrial sockets, Legrand is meeting the expectations of professional users. New benefits in terms of safety, implementation, design & ergonomics guarantee the longevity of this family of products, which has already proven itself over time.



IP44

SOCKETS FOR INTERNAL AND EXTERNAL USE, PROTECTED AGAINST PROJECTIONS OF WATER (BUT NOT EXPOSED TO DIRECT JETS)



Straight plugs



Mobile sockets



Panel mounting sockets

A TRANSFORMED RANGE
WHICH HARMONISES WITH
THE LEGRAND INDUSTRIAL
SOCKETS RANGE

- From 16 to 32 A
- 2 P+ E / 3 P+E / 3 P+N+E
- From 100 to 500 V~
- 50/60 Hz
- Screw connection



AIRPORTS, DATA CENTRES, HOTELS, ETC. P17 TEMPRA PRO IS IDEAL FOR ALL MAJOR PROJECTS

IP66/67

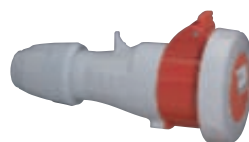
WEATHERPROOF SOCKETS THAT CAN WITHSTAND TEMPORARY IMMERSION (RAIN, FLOODS, ETC)



Surface mounting sockets



Straight plugs



Mobile sockets



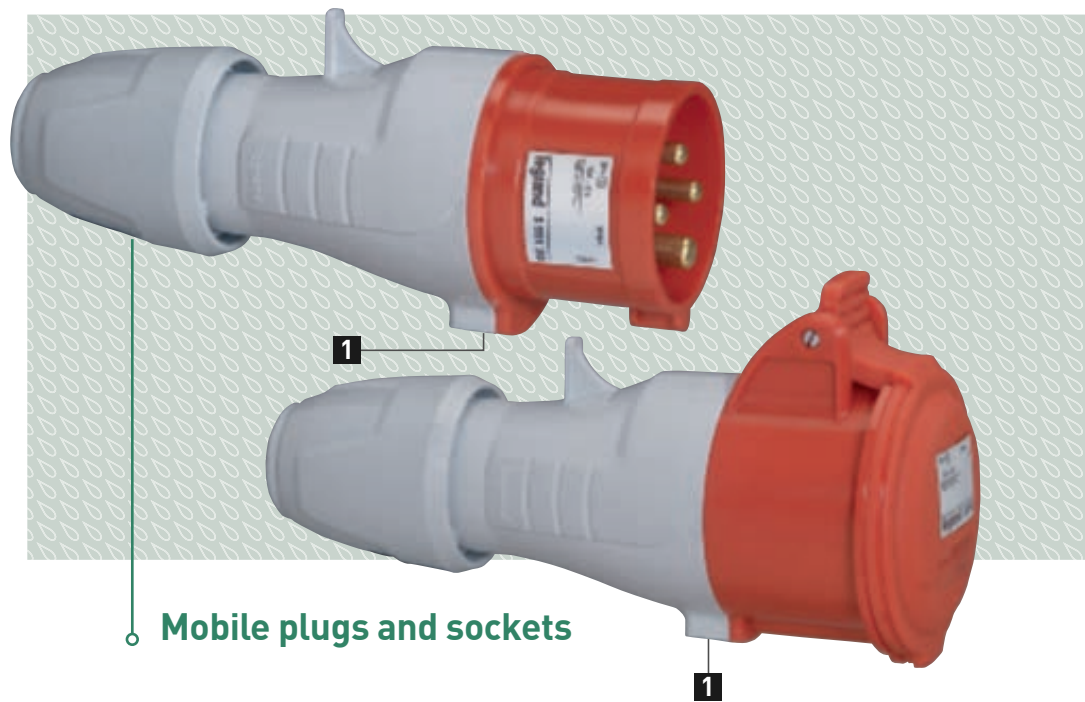
Panel mounting sockets



Surface mounting sockets

P17 TEMPRA PRO, ensuring a quick installation

As competitiveness is key to success when working on a site, the P17 Tempra Pro range offers an array of essential and intuitive benefits aimed at simplifying every movement, freeing up wiring space and ensuring quick, accurate cable connection under optimum conditions.



MOBILE PRODUCTS
ARE SUPPLIED
ASSEMBLED AND
UNLOCKED

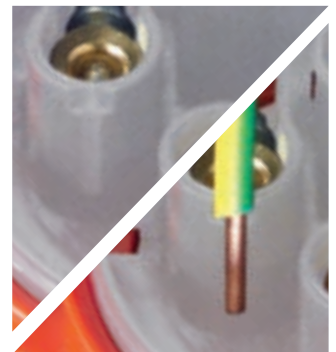


1 QUICK OPENING/CLOSING SYSTEM

Unlocked by pressing with a screwdriver. Marking indicates the location for the locking clip.

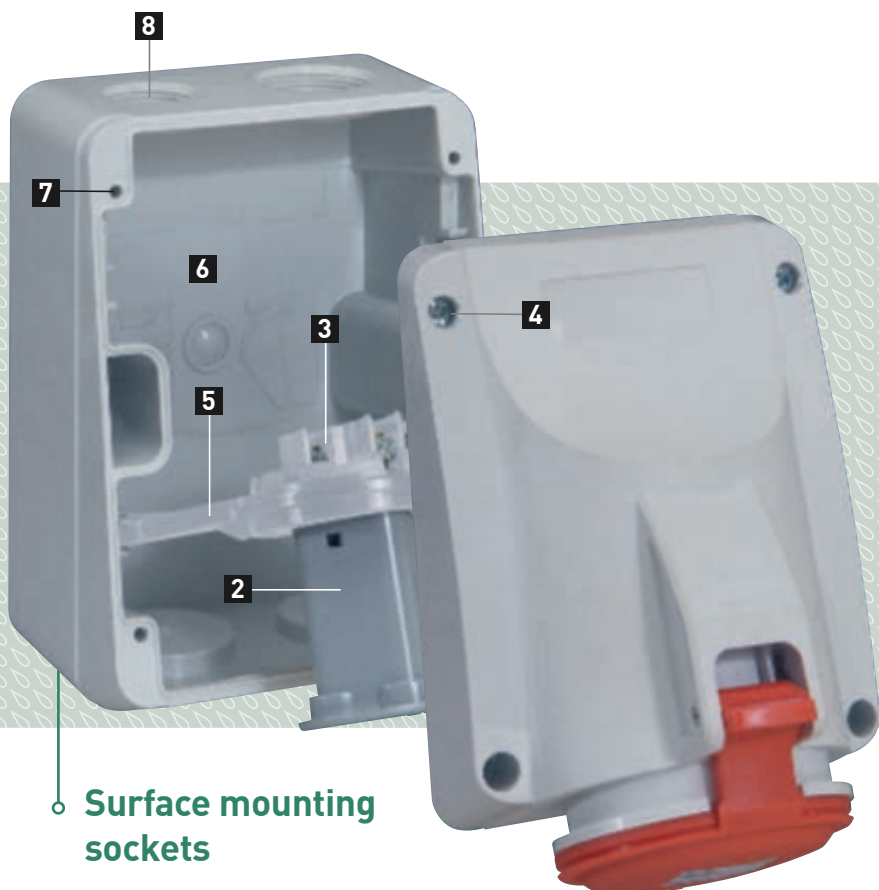


Opened by turning the 2 parts in opposite directions.



2 CABLE STRIPPING

Marking allows the user to see quickly the length of cable to be stripped. Option of using cables with ferrules.

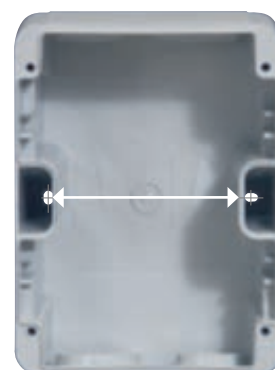


Surface mounting sockets



8 CABLE ENTRIES

4 threaded and sealed cable entries at the top and the bottom and marking at the back of the box for ISO cable glands or conduits.



7 EASIER MAINTENANCE

Fixing centres are identical to the old range (70 mm) for the 16 A sockets and marked at the back of the box for 32 A sockets.



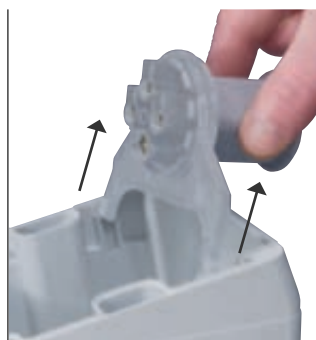
3 JUST ONE SCREW PER TERMINAL

A single captive PZ 2 screw, per connection terminal. Same type of screw for both ratings, 16 and 32 A.



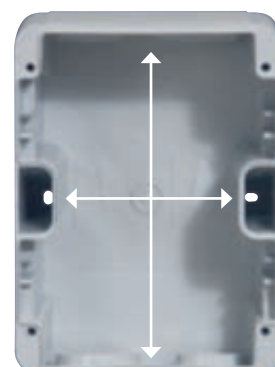
4 EASY COVER FIXING

Stainless steel captive screws with mixed head (for cross or flat screwdriver) for a good seal and anti-corrosion resistance.



5 EASY REMOVAL

The active parts of the product can be removed from the base for easier wiring and changing the socket angle.



6 EASY WIRING

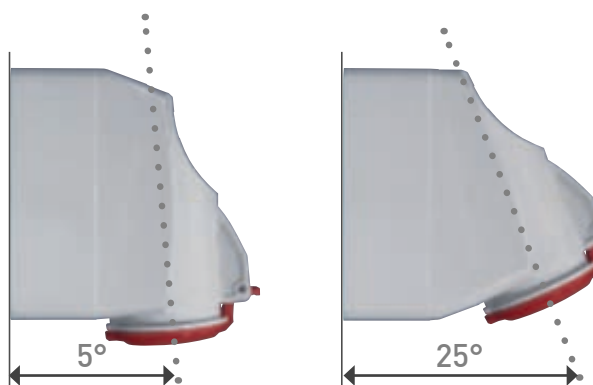
Optimum wiring area for easier connections.

P17 TEMPRA PRO, ensuring ease of use and safety

The new P17 Tempra Pro range has been subject to extensive research in terms of design and safety in order to make life safer and easier for the user. Good product gripping, compact dimensions for use in tight spaces, easier handling, etc. Compliance with standards, anti-corrosion treated materials and components, etc. A comprehensive set of solutions which comply with the standards.



AN INNOVATIVE
DESIGN THAT
COMPLIES WITH
STANDARDS
IEC 60309-1 AND 2
AND RESPECTS THE
ENVIRONMENT



1 2 MOUNTING POSITIONS

To solve the problem of limited space, the surface mounting sockets offer 2 different mounting positions (5° or 25°) which allow users to adapt to the space available without changing the box.



2 CABLE GRIP

Captive cable grip with anti-vibration system holds the cable in place permanently.

SAFETY & THE ENVIRONMENT

SAFETY

Connection terminals compliant with standards IEC 60 309 1 & 2

Production sites certified according to ISO 14001 and ISO 9001

Very high resistance to chemical products. Plugs and sockets made of polyamide 6

Anti-corrosion treated screws, stainless steel springs for the socket covers

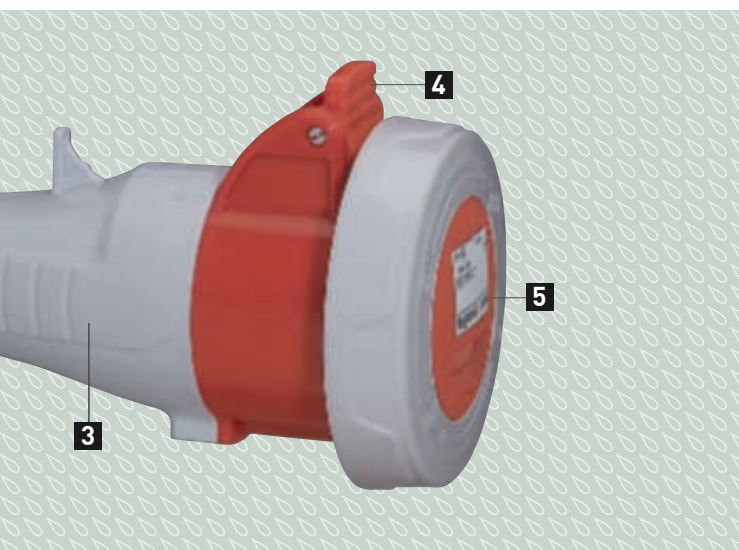
Resistant to temperatures of -25°C to +40°C

ENVIRONMENT

Halogen-free recyclable materials (silicone, PVC)

Grouped packaging in boxes

PEP products (Eco Passport)



3 EASE OF HANDLING

Gripping areas on the body of the mobile products and the cable grip.



4 OPENING LEVER

For easier connection/disconnection. Cover held open on panel sockets and surface mounting sockets.



5 POSITION MARKING

Information engraved on the ring cover of IP66/67 products means the user can check quickly whether it is in the open or closed position. Marking area on the shutter of the sockets and on the upper part of the plugs allows easy identification by the user.

P17 TEMPRA PRO,

ensuring customers get exactly what they need

The P17 Tempra Pro range is fully compatible with additional products and accessories from the Legrand industrial socket range and therefore meets the needs of all site configurations. Customised configurations are also available for solutions that are even more suited to your wide-ranging needs.



Combined units



SINGLE-SOCKET UNITS
With or without DIN rail:
16 / 32 A IP 44 et 63 A IP 66
(see page 25)



COMBINED UNITS TO BE COMPOSED
Only 16 catalogue numbers:
8 for the bases and 8 for the faceplates
(see page 22)

Domestic pin configuration panel mounting sockets



GERMAN AND FRANCO-BELGIAN STANDARD
75 x 75 mm
(see page 13)



GERMAN AND FRANCO-BELGIAN STANDARD
with small flange
50 x 50 mm
(see page 13)

A COMPREHENSIVE
RANGE OF PRODUCTS
MATCHING THE NEW
P17 TEMPRA PRO
RANGE PERFECTLY

Worksites combined units



INDIVIDUAL UNITS
Mobile units with integrated handle (see page 26)



FLOOR CABINETS
Fitted with 5, 6 or 7 sockets or in modular version (see page 26)



ENERGY DISTRIBUTION UNITS
Fitted with domestic and IEC pin configuration socket from 16 to 63 A (see page 26)



Interlocked sockets

INTERLOCKED SWITCHED SOCKETS WITH SMALL FLANGE
125 x 105 mm (see page 12)

Adaptors



IP 55
For integrating Mosaic or Artéor mechanisms (see page 13)



IEC/DOMESTIC
For connecting a 2P+E domestic-use plug to a 2P+E IEC (industrial) socket (see page 13)



FOR IP 44 OR IP 66/67 SOCKETS
For 1 x 16 or 32 A or domestic socket (see page 13)



FOR IP 44 OR IP 66/67 SOCKETS
For 2 x 16 A or domestic sockets (see page 13)

IP55 flush-mounting boxes

P 17 Tempra Pro IP 44 - LV 16 and 32 A








selection chart

| Conform to IEC 60309-1 and IEC 60309-2 IP 44 according to IEC 60529 IK 09 according to IEC 62262 Material: polyamide 6 Self-extinguishing: 850 °C (support of active parts) / 650 °C (plastic housing) | | | FUNCTIONS | | | | | | | |
|---|------|--------|--------------------------|--|--|--|----------------|----------------|-------------|-------------------------|
| | | | SURFACE MOUNTING SOCKETS | PANEL MOUNTING SOCKETS INCLINED OUTLET | PANEL MOUNTING SOCKETS STRAIGHT OUTLET | INTERLOCKED SWITCHED SOCKETS WITH SMALL FLANGE | MOBILE SOCKETS | STRAIGHT PLUGS | ANGLED PLUG | APPLIANCE INLETS |
| LV | | | | | | | | | | |
| 100 to 130 V _~ 50/60 Hz | 16 A | 2P+E | 5 551 51 | 5 551 81 | 0 573 51 | | 5 551 01 | 5 551 21 | | 0 575 81 ⁽²⁾ |
| | | 3P+E | 5 551 52 | | | | 5 551 02 | 5 551 22 | | |
| | 32 A | 2P+E | 5 552 51 | 5 552 81 | | | 5 552 11 | 5 552 31 | | 0 582 81 ⁽²⁾ |
| 200 to 250 V _~ 50/60 Hz | 16 A | 2P+E | 5 551 54 | 5 551 84 | 0 573 54 | 0 573 00 ⁽¹⁾ | 5 551 04 | 5 551 24 | 0 564 53 | 0 575 84 ⁽²⁾ |
| | | 3P+E | 5 551 55 | 5 551 85 | | | 5 551 05 | 5 551 25 | | 0 575 85 ⁽²⁾ |
| | | 3P+N+E | 5 551 56 | 5 551 86 | | | 5 551 06 | 5 551 26 | | 0 575 86 ⁽²⁾ |
| | 32 A | 2P+E | 5 552 54 | 5 552 84 | 0 580 54 | | 5 552 14 | 5 552 34 | 0 564 73 | 0 582 84 ⁽²⁾ |
| | | 3P+E | 5 552 55 | 5 552 85 | | | 5 552 15 | 5 552 35 | | |
| | | 3P+N+E | 5 552 56 | 5 552 86 | | | 5 552 16 | 5 552 36 | | 0 582 86 ⁽²⁾ |
| 380 to 415 V _~ 50/60 Hz | 16 A | 2P+E | 5 551 57 | | | | 5 551 07 | 5 551 27 | | |
| | | 3P+E | 5 551 58 | 5 551 88 | 0 573 58 | 0 573 01 ⁽¹⁾ | 5 551 08 | 5 551 28 | 0 564 57 | 0 575 88 ⁽²⁾ |
| | | 3P+N+E | 5 551 59 | 5 551 89 | 0 573 59 | 0 573 02 ⁽¹⁾ | 5 551 09 | 5 551 29 | 0 564 58 | 0 575 89 ⁽²⁾ |
| | 32 A | 2P+E | 5 552 57 | | | | 5 552 17 | 5 552 37 | | |
| | | 3P+E | 5 552 58 | 5 552 88 | 0 580 58 | | 5 552 18 | 5 552 38 | 0 564 77 | 0 582 88 ⁽²⁾ |
| | | 3P+N+E | 5 552 59 | 5 552 89 | 0 580 59 | | 5 552 19 | 5 552 39 | 0 564 78 | 0 582 89 ⁽²⁾ |
| 440 to 460 V _~ 50/60 Hz | 16 A | 3P+E | 5 551 60 | 5 551 90 | | | 5 551 10 | 5 551 30 | | |
| | 32 A | 3P+E | 5 552 60 | 5 552 90 | | | 5 552 20 | 5 552 40 | | |
| 480 to 500 V _~ 50/60 Hz | 16 A | 3P+E | 5 551 62 | 5 551 92 | | | 5 551 12 | 5 551 32 | | |
| | | 3P+N+E | 5 551 63 | 5 551 93 | | | 5 551 13 | 5 551 33 | | |
| | 32 A | 3P+E | 5 552 62 | 5 552 92 | | | 5 552 22 | 5 552 42 | | |
| | | 3P+N+E | 5 552 63 | 5 552 93 | | | 5 552 23 | 5 552 43 | | |

1: Can be fitted only on faceplate Cat.No 0 577 23 (p. 22) - 2: Protection covers not supplied (p. 12)

P 17 Tempra Pro IP 66/67 - LV 16, 32, 63 and 125 A

selection chart

| Conform to IEC 60309-1 and IEC 60309-2 IP 44 according to IEC 60529 IK 09 according to IEC 62262 Material: polyamide 6 Self-extinguishing: 850 °C (support of active parts) / 650 °C (plastic housing) | | | FUNCTIONS | | | | | | |
|---|--|----------|---|---|---|---|--|---|---|
| | | | SURFACE MOUNTING SOCKETS | PANEL MOUNTING SOCKETS | INTERLOCKED SWITCHED SOCKETS WITH SMALL FLANGE | MOBILE SOCKETS | STRAIGHT PLUGS | ANGLED PLUG | APPLIANCE INLETS |
| LV | | |  |  |  |  |  |  |  |
| 100 to 130 V \sim 50/60 Hz | 16 A | 2P+E | 5 553 51 | 5 553 81 | | 5 553 01 | 5 553 21 | | 0 568 00 |
| | 32 A | 2P+E | 5 554 51 | 5 554 81 | | | 5 554 31 | | |
| 200 to 250 V \sim 50/60 Hz | 16 A | 2P+E | 5 553 54 | 5 553 84 | 0 573 20 ⁽¹⁾⁽²⁾ | 5 553 04 | 5 553 24 | 0 565 03 | 0 568 03 |
| | | 3P+E | 5 553 55 | 5 553 85 | | 5 553 05 | 5 553 25 | | 0 568 04 |
| | | 3P+N+E | 5 553 56 | 5 553 86 | | 5 553 06 | 5 553 26 | | |
| | 32 A | 2P+E | 5 554 54 | 5 554 84 | | 5 554 14 | 5 554 34 | 0 565 23 | 0 568 23 |
| | | 3P+E | 5 554 55 | 5 554 85 | | 5 554 15 | 5 554 35 | | |
| | | 3P+N+E | 5 554 56 | 5 554 86 | | 5 554 16 | 5 554 36 | | |
| | 63 A | 2P+E | 0 587 40 | 0 587 20 | | 0 587 10 | 0 587 00 | | 0 587 30 |
| | | 3P+E | 0 587 41 | 0 587 21 | | 0 587 11 | 0 587 01 | | |
| | | 3P+N+E | 0 587 42 | 0 587 22 | | 0 587 12 | 0 587 02 | | |
| 380 to 415 V \sim 50/60 Hz | 16 A | 3P+E | 5 553 58 | 5 553 88 | 0 573 21 ⁽¹⁾⁽²⁾ | 5 553 08 | 5 553 28 | | 0 568 07 |
| | | 3P+N+E | 5 553 59 | 5 553 89 | 0 573 22 ⁽¹⁾⁽²⁾ | 5 553 09 | 5 553 29 | | 0 568 08 |
| | 32 A | 3P+E | 5 554 58 | 5 554 88 | | 5 554 18 | 5 554 38 | | 0 568 27 |
| | | 3P+N+E | 5 554 59 | 5 554 89 | | 5 554 19 | 5 554 39 | 0 565 28 | 0 568 28 |
| | 63 A | 3P+E | 0 587 44 | 0 587 24 | | 0 587 14 | 0 587 04 | | 0 587 34 |
| | | 3P+N+E | 0 587 45 | 0 587 25 | | 0 587 15 | 0 587 05 | | 0 587 35 |
| | 125 A | 3P+E | 0 591 06 | 0 591 16 | | 0 591 36 | 0 591 26 | | 0 591 46 |
| | | 3P+N+E | 0 591 07 | 0 591 17 | | 0 591 37 | 0 591 27 | | 0 591 47 |
| | 440 V \sim 50/60 Hz for refrigerated containers | 32 A | 3P+E | 5 554 91 | | 5 554 21 | 5 554 41 | | |
| 480 to 500 V \sim 50/60 Hz | 16 A | 3P+E | 5 553 62 | 5 553 92 | | 5 553 12 | 5 553 32 | | |
| | 32 A | 3P+E | 5 554 62 | 5 554 92 | | 5 554 22 | 5 554 42 | | |
| | | 3P+N+E | 5 554 63 | | | | 5 554 43 | | |
| 63 A | 3P+E | 0 553 48 | 0 587 27 | | 0 587 17 | 0 587 07 | | | |

1: IP 55 - 2: Can be fitted only on faceplate Cat.No 0 577 23 (p. 22)

P 17 Tempra Pro IP 44 - LV 16 and 32 A

sockets, plugs, mobile sockets, appliance inlets and interlocked switched sockets



5 552 58



5 551 88



5 551 08



5 551 28

Technical characteristics p. 16

Surface mounting sockets

| Pack | Cat.Nos | | |
|--------|-------------------|----------|---------------------------------|
| | N IP 44 | | Two possible angles (5° or 25°) |
| | 16 A | 32 A | 100/130 V ~ |
| 5 | 5 551 51 | 5 552 51 | 2P+E |
| 5 | 5 551 52 | | 3P+E |
| | | | 200/250 V ~ |
| 10 5 | 5 551 54 | 5 552 54 | 2P+E |
| 5 | 5 551 55 | 5 552 55 | 3P+E |
| 5 | 5 551 56 | 5 552 56 | 3P+N+E |
| | | | 380/415 V ~ |
| 5 | 5 551 57 | 5 552 57 | 2P+E |
| 10 | 5 551 58 | 5 552 58 | 3P+E |
| 10 | 5 551 59 | 5 552 59 | 3P+N+E |

Panel mounting sockets inclined outlet

| Pack | Cat.Nos | | |
|------|-------------------|----------|---|
| | N IP 44 | | Can be fixed on plain faceplates or pre-drilled (p. 22) and on flush mounting boxes (p. 13) |
| | 16 A | 32 A | 100/130 V ~ |
| 5 | 5 551 81 | 5 552 81 | 2P+E |
| | | | 200/250 V ~ |
| 10 | 5 551 84 | 5 552 84 | 2P+E |
| 5 | 5 551 85 | 5 552 85 | 3P+E |
| 5 | 5 551 86 | 5 552 86 | 3P+N+E |
| | | | 380/415 V ~ |
| 10 | 5 551 88 | 5 552 88 | 3P+E |
| 10 | 5 551 89 | 5 552 89 | 3P+N+E |

Panel mounting sockets straight outlet small flange

| Pack | Cat.Nos | | |
|------|----------|----------|--|
| | IP 44 | | Can be fixed only on plain faceplates Cat.Nos 0 577 15/16 (p. 22) |
| | 16 A | 32 A | 200/250 V ~ |
| 5 | 0 573 54 | 0 580 54 | 2P+E |
| | | | 380/415 V ~ |
| 5 | 0 573 58 | 0 580 58 | 3P+E |
| 5 | 0 573 59 | 0 580 59 | 3P+N+E |

Interlocked switched sockets with small flange

| Pack | Cat.Nos | | |
|------|----------|----------|---|
| | 16 A | | Dimensions: 125 x 105 mm Can be fixed only on faceplate Cat.No 577 23 (p. 22) |
| | IP 44 | IP 55 | 200/250 V ~ |
| 1 | 0 573 00 | 0 573 20 | 2P+E |
| | | | 380/415 V ~ |
| 1 | 0 573 01 | 0 573 21 | 3P+E |
| 1 | 0 573 02 | 0 573 22 | 3P+N+E |

Mobile sockets

| Pack | Cat.Nos | | |
|--------|-------------------|----------|--|
| | N IP 44 | | Cable clamping and closing without screws Supplied unlocked |
| | 16 A | 32 A | 100/130 V ~ |
| 10 5 | 5 551 01 | 5 552 11 | 2P+E |
| 5 | 5 551 02 | | 3P+E |
| | | | 200/250 V ~ |
| 10 | 5 551 04 | 5 552 14 | 2P+E |
| 5 | 5 551 05 | 5 552 15 | 3P+E |
| 5 | 5 551 06 | 5 552 16 | 3P+N+E |
| | | | 380/415 V ~ |
| 5 | 5 551 07 | 5 552 17 | 2P+E |
| 10 | 5 551 08 | 5 552 18 | 3P+E |
| 10 | 5 551 09 | 5 552 19 | 3P+N+E |

Straight plugs

| Pack | Cat.Nos | | |
|--------|-------------------|----------|--|
| | N IP 44 | | Cable clamping and closing without screws Supplied unlocked |
| | 16 A | 32 A | 100/130 V ~ |
| 10 5 | 5 551 21 | 5 552 31 | 2P+E |
| 5 | 5 551 22 | | 3P+E |
| | | | 200/250 V ~ |
| 10 | 5 551 24 | 5 552 34 | 2P+E |
| 5 | 5 551 25 | 5 552 35 | 3P+E |
| 5 | 5 551 26 | 5 552 36 | 3P+N+E |
| | | | 380/415 V ~ |
| 5 | 5 551 27 | 5 552 37 | 2P+E |
| 10 | 5 551 28 | 5 552 38 | 3P+E |
| 10 | 5 551 29 | 5 552 39 | 3P+N+E |

Phase inverter plugs

| Pack | Cat.Nos | | |
|------|----------|----------|---|
| | IP 44 | | Straight plugs for changing rotation direction of a 3-phase electric motor |
| | 16 A | 32 A | 380/415 V ~ |
| 5 | 0 574 40 | 0 581 40 | 3P+E |
| 5 | 0 574 41 | 0 581 41 | 3P+N+E |

Appliance inlets

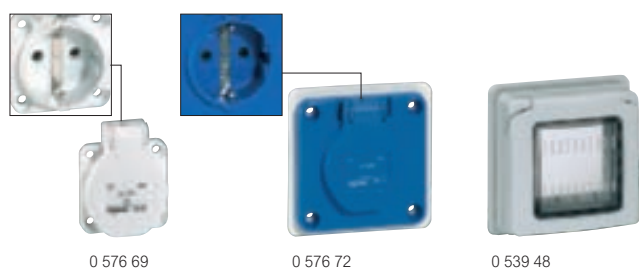
| Pack | Cat.Nos | | |
|------|----------|----------|--------------------|
| | IP 44 | | |
| | 16 A | 32 A | 100/130 V ~ |
| 10 | 0 575 81 | 0 582 81 | 2P+E |
| | | | 200/250 V ~ |
| 5 | 0 575 84 | 0 582 84 | 2P+E |
| 5 | 0 575 85 | | 3P+E |
| 5 | 0 575 86 | 0 582 86 | 3P+N+E |
| | | | 380/415 V ~ |
| 5 | 0 575 88 | 0 582 88 | 3P+E |
| 5 | 0 575 89 | 0 582 89 | 3P+N+E |

Protection covers

| Pack | Cat.Nos | | |
|------|----------|--|--------------------------------------|
| | Rubber | | For plugs and appliance inlets: |
| 10 | 0 521 25 | | 2P+E - 16 A |
| 5 | 0 521 26 | | 3P+E - 16 A |
| 5 | 0 521 27 | | 3P+N+E - 16 A / 2P+E and 3P+E - 32 A |
| 5 | 0 521 99 | | 3P+N+E - 32 A |

P 17 Tempra - domestic pin configuration 16 A - 250 V~

P 17 Tempra IP 44 - ELV 16 and 32 A



0 576 69

0 576 72

0 539 48



0 552 06

0 552 21

To be equipped with Arteor/Mosaic mechanism



0 521 05 + 0 772 11



0 577 22



0 552 45

Technical characteristics p. 17

| Pack | Cat.Nos | Panel mounting sockets |
|------|----------|---|
| | | Domestic pin configuration German standard sockets IP 54 cover closed - IP 44 connected IK 09 according to IEC 62262 and EN 62262 2P+E 250 V~ Material: plastic Self-extinguishing: 850 °C |
| | | Panel mounting sockets with small flange Can be fixed only on plain faceplates Cat.Nos 0 577 15/16 (p. 22) |
| 20 | 0 576 69 | White panel mounting sockets |
| 20 | 0 576 75 | Blue panel mounting sockets with shutters |
| | | Panel mounting sockets Can be fixed on pre-cut or plain faceplate for combined units (p. 22), flush-mounting boxes Cat.Nos 0 577 21/22 and P17 work sites combined units (p. 26) |
| 20 | 0 576 72 | Blue panel mounting sockets |
| 20 | 0 576 76 | Blue panel mounting sockets with shutters |
| | | Panel mounting adaptor |
| 8 | 0 539 48 | Accepts Arteor and Mosaic mechanisms 2 modules (except particular prominence) |
| | | Adaptor |
| 10 | 0 521 05 | 16 A - 250 V~ IEC input 2P+E Output: empty model to be equipped with Mosaic mechanism all standards |
| | | Flush-mounting boxes |
| | | IP 55 For panel mounting sockets inclined outlet installation (IP 44 or IP 66/67) Flush mounting boxes with faceplates |
| 3 | 0 577 21 | For 2 panel mounting sockets With single fixing centres 70 x 70 mm - 16 A |
| 3 | 0 577 22 | For 1 panel mounting socket With single fixing centres 70 x 70 mm - 16 or 32 A (32 A to be fixed horizontally) |

Technical characteristics p. 18

| Pack | Cat.Nos | Surface mounting sockets |
|------|------------------------------------|-------------------------------|
| 5 | 16 A 32 A 0 552 06 0 552 56 | 20/25 V~ 2P |
| | | Panel mounting sockets |
| 5 | 16 A 32 A 0 552 45 0 552 95 | 20/25 V~ 2P |
| | | Straight plugs |
| 5 | 16 A 32 A 0 552 21 0 552 71 | 20/25 V~ 2P |
| | | Mobile sockets |
| 5 | 16 A 32 A 0 552 31 0 552 81 | 20/25 V~ 2P |
| | | Appliance inlets |
| 5 | 16 A 32 A 0 552 41 0 552 91 | 20/25 V~ 2P |

P 17 Tempra Pro IP 66/67 LV 16 and 32 A



P 17 Tempra Pro IP 66/67 LV 32 A for refrigerated containers



5 554 58



5 553 28



6 571 06

Technical characteristics p. 19

| Pack | Cat.Nos | | Surface mounting sockets |
|------|----------|----------|---------------------------------|
| | 16 A | 32 A | Two possible angles (5° or 25°) |
| 5 | 5 553 54 | 5 554 54 | 200/250 V~ |
| 5 | 5 553 55 | 5 554 55 | 2P+E |
| 5 | 5 553 56 | 5 554 56 | 3P+E |
| | | | 3P+N+E |
| | | | 380/415 V~ |
| 5 | 5 553 58 | 5 554 58 | 3P+E |
| 5 | 5 553 59 | 5 554 59 | 3P+N+E |

| Pack | Cat.Nos | | Panel mounting sockets |
|------|----------|----------|--|
| | 16 A | 32 A | Can be fixed on the faceplates (p. 22) |
| 5 | 5 553 84 | 5 554 84 | 200/250 V~ |
| 5 | 5 553 85 | 5 554 85 | 2P+E |
| 5 | 5 553 86 | 5 554 86 | 3P+E |
| | | | 3P+N+E |
| | | | 380/415 V~ |
| 5 | 5 553 88 | 5 554 88 | 3P+E |
| 5 | 5 553 89 | 5 554 89 | 3P+N+E |

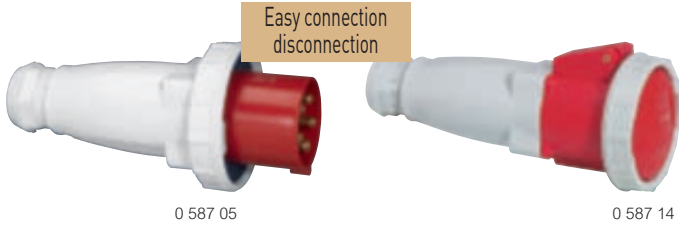
| Pack | Cat.Nos | | Mobile sockets |
|------|----------|----------|-------------------|
| | 16 A | 32 A | Supplied unlocked |
| 5 | 5 553 04 | 5 554 14 | 200/250 V~ |
| 5 | 5 553 05 | 5 554 15 | 2P+E |
| 5 | 5 553 06 | 5 554 16 | 3P+E |
| | | | 3P+N+E |
| | | | 380/415 V~ |
| 5 | 5 553 08 | 5 554 18 | 3P+E |
| 5 | 5 553 09 | 5 554 19 | 3P+N+E |

| Pack | Cat.Nos | | Straight plugs |
|------|----------|----------|-------------------|
| | 16 A | 32 A | Supplied unlocked |
| 5 | 5 553 24 | 5 554 34 | 200/250 V~ |
| 5 | 5 553 25 | 5 554 35 | 2P+E |
| 5 | 5 553 26 | 5 554 36 | 3P+E |
| | | | 3P+N+E |
| | | | 380/415 V~ |
| 5 | 5 553 28 | 5 554 38 | 3P+E |
| 5 | 5 553 29 | 5 554 39 | 3P+N+E |

| Pack | Cat.Nos | | Appliance inlets |
|------|----------|----------|------------------|
| | 16 A | 32 A | 200/250 V~ |
| 5 | 0 568 03 | 0 568 23 | 2P+E |
| 5 | 0 568 04 | - | 3P+E |
| | | | 380/415 V~ |
| 5 | 0 568 07 | 0 568 27 | 3P+E |
| 5 | 0 568 08 | 0 568 28 | 3P+N+E |

| Pack | Cat.Nos | Combined unit, plug and mobile socket for refrigerated containers |
|------|----------|---|
| 1 | 6 571 06 | 32 A - 440 V~ - 50/60 Hz - 3P+E - 3 hours IK 09 Plastic body and cover - Stainless steel screws Combined unit with interlocked switched socket - Double mechanical interlock - Cable glands are not supplied |
| 5 | 5 554 91 | Panel mounting socket |
| 5 | 5 554 21 | Mobile socket With cable grip Ø12 to 21.5 mm |
| 5 | 5 554 41 | Straight plug With cable grip Ø12 to 21.5 mm |

P 17 Tempra IP 66/67 - LV 63 and 125 A



Technical characteristics p. 20-21

Pack Cat.Nos Surface mounting sockets

| Pack | Cat.Nos | 200/250 V~ |
|------|--------------------------|------------|
| 2 | 63 A 0 587 40 125 A | 2P+E |
| 2 | 0 587 44 0 591 06 | 3P+E |
| 2 | 0 587 45 0 591 07 | 3P+N+E |

Panel mounting sockets

Can be fixed on the faceplates
Cat.Nos 0 577 17/19 (p. 26)

| Pack | Cat.Nos | 200/250 V~ |
|------|--------------------------|------------|
| 2 | 63 A 0 587 20 125 A | 2P+E |
| 2 | 0 587 24 0 591 16 | 3P+E |
| 2 | 0 587 25 0 591 17 | 3P+N+E |

Straight plugs

| Pack | Cat.Nos | 200/250 V~ |
|------|--------------------------|------------|
| 2 | 63 A 0 587 00 125 A | 2P+E |
| 2 | 0 587 04 0 591 26 | 3P+E |
| 2 | 0 587 05 0 591 27 | 3P+N+E |

Mobile sockets

| Pack | Cat.Nos | 200/250 V~ |
|------|--------------------------|------------|
| 2 | 63 A 0 587 10 125 A | 2P+E |
| 2 | 0 587 14 0 591 36 | 3P+E |
| 2 | 0 587 15 0 591 37 | 3P+N+E |

Appliance inlets

| Pack | Cat.Nos | 200/250 V~ |
|------|--------------------------|------------|
| 2 | 63 A 0 587 30 125 A | 2P+E |
| 2 | 0 587 34 0 591 46 | 3P+E |
| 2 | 0 587 35 0 591 47 | 3P+N+E |

P 17 WORKSITES COMBINED UNITS

Power supply made easy



- Provide temporary power supplies on building sites and for events
- 2 types of worksites combined units:
 - individual units (ready to use or to be equipped)
 - floor cabinets (to be equipped)
- Can take P17 Tempra Pro panel mounting sockets, Osmoz control units, Mosaic or Arteor sockets outlets (via the dedicated adaptor)
- Easy to hang on a wall without having to open the unit



CUSTOM MADE RANGES

Custom made P17 Tempra Pro power connectors and combined units available on request

Ask for your enquiry forms in order to define product specification

P 17 Tempra Pro IP 44 - LV 16 and 32 A

Characteristics

Terminal connection:

- Panel and surface mounting sockets

- 16 A: max. 1 x 4 mm² rigid

- 32 A: max. 1 x 10 mm² rigid

- Appliance inlets:

- 16 A: max. 1 x 2.5 mm² rigid

- 32 A: max. 1 x 6 mm² rigid

- Plugs and mobile sockets:

- 16 A: max. 1 x 2.5 mm² flexible

- 32 A: max. 1 x 6 mm² flexible

- IP 44 according to IEC and EN 60529

- IK 08 according to EN 50102 for interlocked switched sockets with small flange

- IK 09 according to IEC 62262 and EN 62262

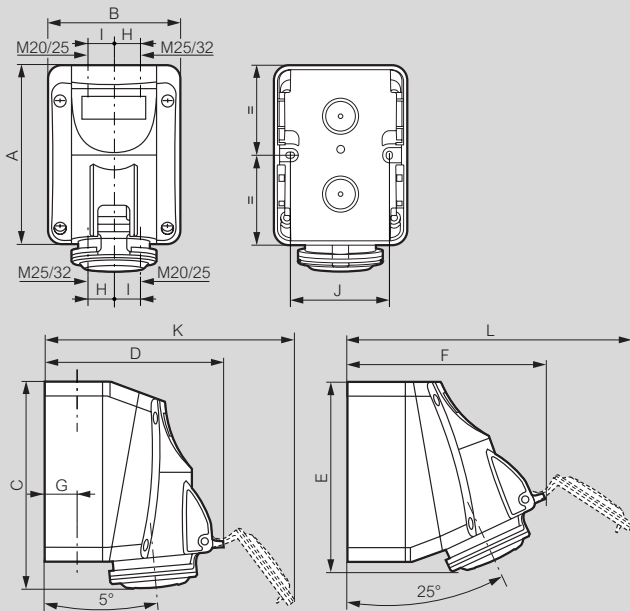
- Material: polyamide 6

- Self-extinguishing: 850 °C (support of active parts) / 650 °C (plastic housing)

- 25 °C to + 40 °C according to IEC 60309-1

Dimensions

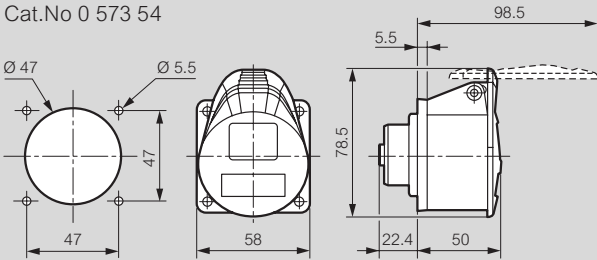
Surface mounting sockets (p. 12)



| | A | B | C | D | E | F | G | H | I | J | K | L |
|----------------|-----|-----|-----|-----|-----|-----|----|----|----|----|-----|-----|
| LV 16 A | | | | | | | | | | | | |
| 2P+E | 125 | 93 | 147 | 126 | 138 | 139 | 22 | 17 | 20 | 70 | 176 | 195 |
| 3P+E | 125 | 93 | 147 | 134 | 138 | 147 | 22 | 17 | 20 | 70 | 190 | 210 |
| 3P+N+E | 125 | 93 | 147 | 140 | 138 | 153 | 22 | 17 | 20 | 70 | 201 | 221 |
| LV 32 A | | | | | | | | | | | | |
| 2P+E | 150 | 113 | 174 | 156 | 163 | 172 | 28 | 22 | 26 | 90 | 220 | 245 |
| 3P+E | 150 | 113 | 174 | 156 | 163 | 172 | 28 | 22 | 26 | 90 | 220 | 245 |
| 3P+N+E | 150 | 113 | 174 | 162 | 163 | 177 | 28 | 22 | 26 | 90 | 230 | 256 |

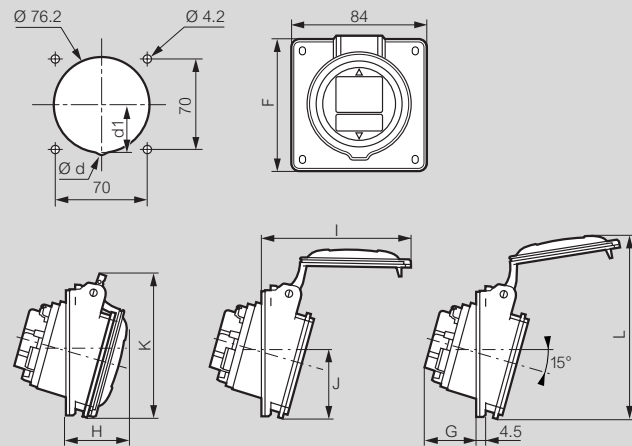
Panel mounting socket straight outlet small flange (p. 12)

Cat.No 0 573 54



Weight (kg) = 0.105

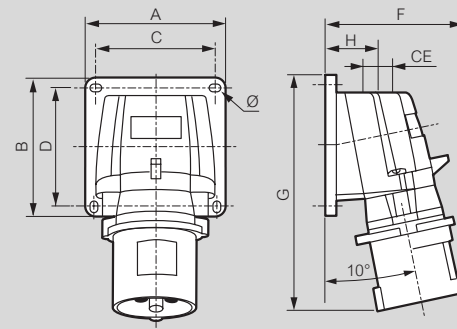
Panel mounting sockets inclined outlet (p. 12)



| | Ød | d1 | F | G | H | I | J | K | L |
|----------------|----|----|----|------|------|-----|------|-------|-------|
| LV 16 A | | | | | | | | | |
| 2P+E | - | - | 84 | 33.5 | 37.5 | 85 | 42 | 88.5 | 112.5 |
| 3P+E | - | - | 84 | 35.5 | 38.5 | 93 | 42 | 91.5 | 118.5 |
| 3P+N+E | - | - | 84 | 36.5 | 39.5 | 100 | 43.3 | 97 | 123.5 |
| LV 32 A | | | | | | | | | |
| 2P+E | - | - | 94 | 41.5 | 45.5 | 110 | 47 | 102 | 131 |
| 3P+E | 8 | 36 | 94 | 42.5 | 46.5 | 117 | 47 | 107.5 | 138 |

Appliance inlets (p. 12)

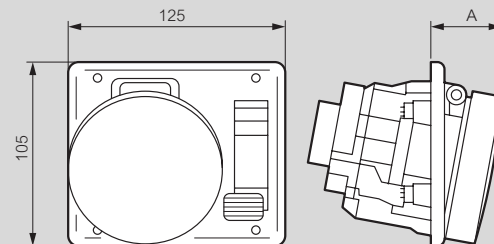
Cat.Nos 0 575 84/88/89 and 0 582 84/88/89



| | Weight (kg) | A | B | C | D | F | G | H | CE | Ø |
|----------------|-------------|-----|-----|----|----|-----|-----|----|-----|-----|
| LV 16 A | | | | | | | | | | |
| 2P+E | 0.168 | 84 | 84 | 72 | 72 | 77 | 126 | 34 | M20 | 4.3 |
| 3P+E | 0.232 | 84 | 84 | 72 | 72 | 84 | 134 | 34 | M20 | 4.3 |
| 3P+N+E | 0.256 | 84 | 84 | 72 | 72 | 91 | 141 | 34 | M20 | 4.3 |
| LV 32 A | | | | | | | | | | |
| 2P+E | 0.325 | 110 | 110 | 98 | 98 | 96 | 168 | 39 | M25 | 5.3 |
| 3P+N+E | 0.364 | 110 | 110 | 98 | 98 | 102 | 168 | 39 | M25 | 5.3 |

Interlocked switched sockets with small flange (p. 12)

Cat.Nos 0 573 00/01/02 and 0 573 20/21/22



| | 16 A | IP | A | IP | A |
|--------|------|----|----|----|---|
| 2P+E | 44 | 38 | 55 | 45 | |
| 3P+E | 44 | 38 | 55 | 45 | |
| 3P+N+E | 44 | 38 | 55 | 45 | |

P 17 Tempra Pro IP 44 - LV 16 and 32 A

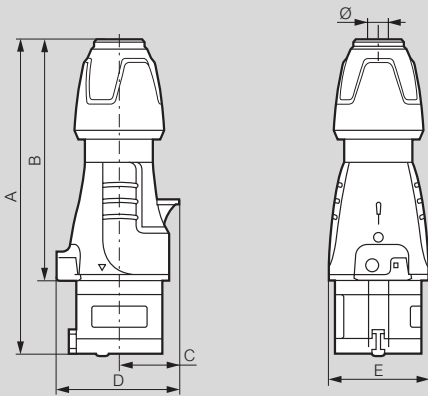
mobile products

P 17 Tempra domestic pin configuration

16 A - 250 V \sim

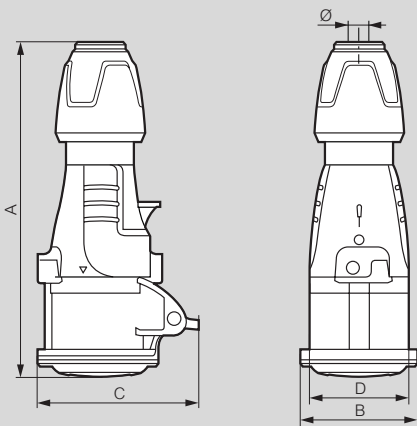
Dimensions

Straight plugs (p. 12)



| | A | B | C | D | E | Ø |
|----------------|------------|----------------|----|----|----|--------------|
| LV 16 A | | | | | | |
| 2P+E | 146 to 157 | 109.5 to 120.5 | 30 | 61 | 50 | 6.5 to 14 |
| 3P+E | 146 to 157 | 109.5 to 120.5 | 34 | 67 | 55 | 7.10 to 15.5 |
| 3P+N+E | 163 to 176 | 126.5 to 139.5 | 38 | 76 | 65 | 8 to 20 |
| LV 32 A | | | | | | |
| 2P+E | 172 to 185 | 127 to 140 | 40 | 78 | 65 | 8 to 20 |
| 3P+E | 172 to 185 | 127 to 140 | 40 | 78 | 65 | 8 to 20 |
| 3P+N+E | 179 to 189 | 133 to 143 | 45 | 86 | 71 | 11.9 to 22.2 |

Mobile sockets (p. 12)

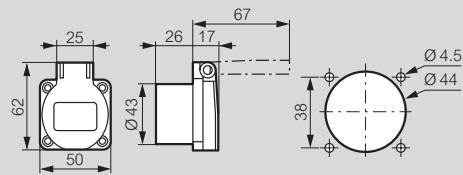


| | A | B | C | D | Ø |
|----------------|------------|------|-----|----|--------------|
| LV 16 A | | | | | |
| 2P+E | 156 to 167 | 59 | 81 | 50 | 6.5 to 14 |
| 3P+E | 157 to 168 | 65 | 88 | 55 | 7.10 to 15.5 |
| 3P+N+E | 175 to 188 | 72 | 94 | 65 | 8 to 20 |
| LV 32 A | | | | | |
| 2P+E | 184 to 197 | 73 | 99 | 65 | 8 to 20 |
| 3P+E | 184 to 197 | 73.5 | 99 | 65 | 8 to 20 |
| 3P+N+E | 190 to 203 | 79.5 | 105 | 71 | 11.9 to 22.2 |

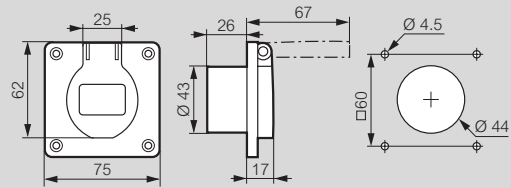
Dimensions

Domestic pin configuration sockets (p. 13)

Cat.Nos 0 576 69/75

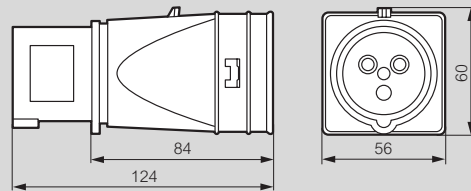


Cat.Nos 0 576 72/76



Adaptor 16 A - 230 V (p. 13)

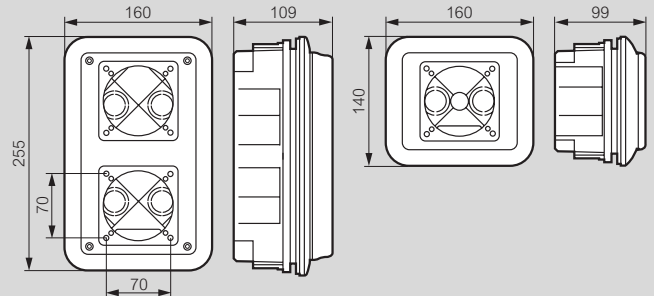
Cat.No 0 521 05



Flush mounting boxes (p. 13)

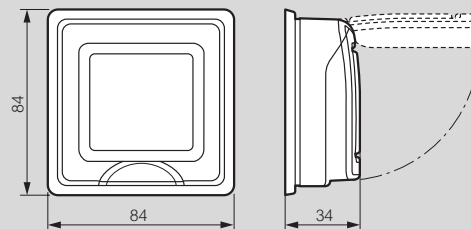
Cat.No 0 577 21

Cat.No 0 577 22



Panel mounting adaptor (p. 13)

Cat.No 0 539 48



P 17 Tempra IP 44 - ELV 16 and 32 A

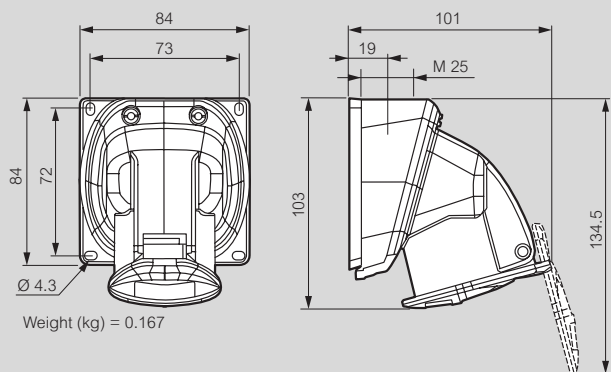
Characteristics

Terminal connection:
 Max. 1 x 10 mm² (rigid for fixed products flexible for mobile products)
 IP 44 according to IEC 60529 and EN 60529
 IK 09 according to IEC 62262 and EN 62262
 Material: plastic
 Self-extinguishing: 850 °C (support of active parts) / 650 °C (plastic housing)
 Temp. rating: - 25 °C to + 40 °C
 Conform to IEC 60309-1 / IEC 60309-2 and EN 60309-1 / EN 60309-2

Dimensions

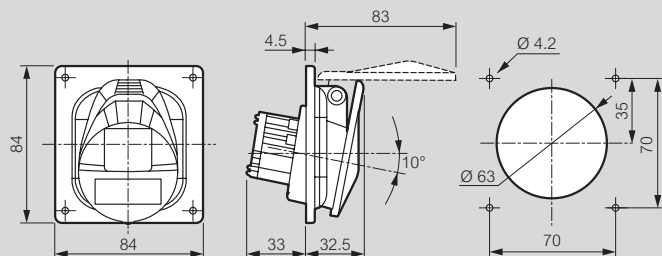
Surface mounting sockets (p. 13)

Cat.Nos 0 552 06/56



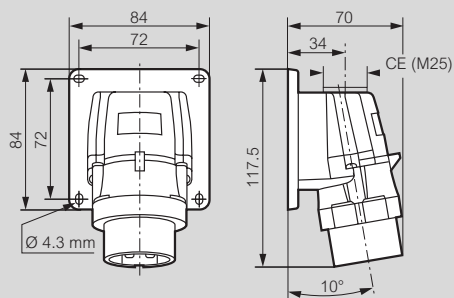
Panel mounting sockets (p. 13)

Cat.Nos 0 552 45/95



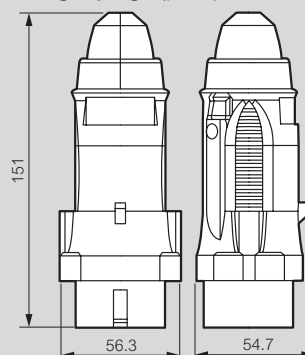
Appliance inlets (p. 13)

Cat.Nos 0 552 41/91



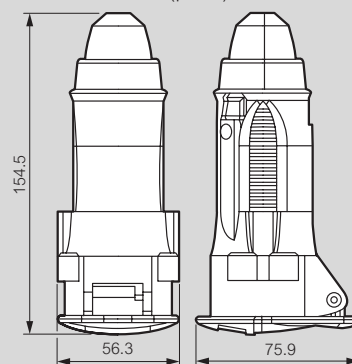
Dimensions ELV 16 and 32 A

Straight plugs (p. 13)



Weight (kg) = 0.132

Mobile sockets (p. 13)



Weight (kg) = 0.16

P 17 Tempra Pro IP 66/67 - LV 16 and 32 A

Characteristics

Terminal connection:

- Panel and surface mounting sockets
- 16 A: max. 1 x 4 mm² rigid - 32 A: max. 1 x 10 mm² rigid
- Plugs, mobile sockets:
- 16 A: max. 1 x 2,5 mm² flexible - 32 A: max. 1 x 6 mm² flexible

• Appliance inlets:

- 16 A: max. 1 x 2.5 mm² rigid - 32 A: max. 1 x 6 mm² rigid

IP 66/67 according to IEC 60529 and EN 60529

IK 09 according to IEC 62262 and EN 62262

Material: polyamide 6

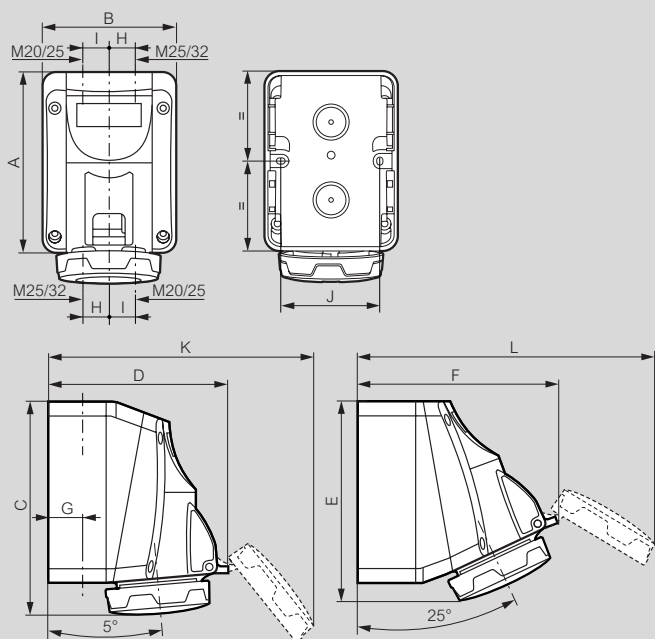
Self-extinguishing: 850 °C (support of active parts) / 650 °C (plastic housing)

Temp. rating: - 25 °C to + 40 °C

Conform to IEC 60309-1 and IEC 60309-2

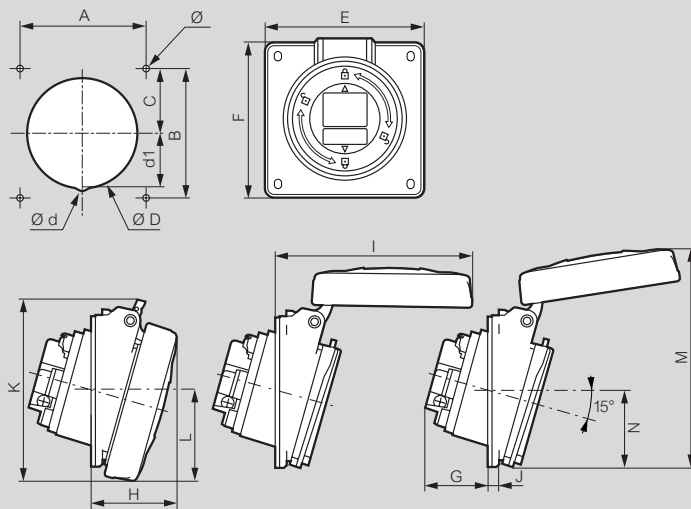
Dimensions

Surface mounting sockets (p. 14)



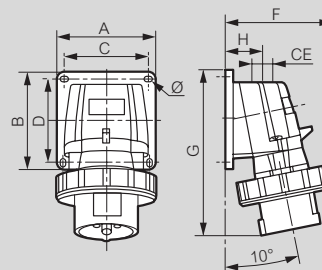
| | A | B | C | D | E | F | G | H | I | J | K | L |
|----------------|-----|-----|-----|-----|-----|-----|----|----|----|----|-----|-----|
| LV 16 A | | | | | | | | | | | | |
| 2P+E | 125 | 93 | 144 | 125 | 131 | 137 | 22 | 17 | 20 | 70 | 178 | 200 |
| 3P+E | 125 | 93 | 144 | 133 | 131 | 145 | 22 | 17 | 20 | 70 | 194 | 215 |
| 3P+N+E | 125 | 93 | 144 | 139 | 131 | 150 | 22 | 17 | 20 | 70 | 205 | 227 |
| LV 32 A | | | | | | | | | | | | |
| 2P+E | 150 | 113 | 171 | 155 | 156 | 170 | 28 | 22 | 26 | 90 | 224 | 250 |
| 3P+E | 150 | 113 | 171 | 161 | 156 | 175 | 28 | 22 | 26 | 90 | 231 | 260 |
| 3P+N+E | 150 | 113 | 171 | 161 | 156 | 175 | 28 | 22 | 26 | 90 | 231 | 260 |

Panel mounting sockets (p. 14)



| | Dimensions (mm) | | | | | | | | | | | | | | | | |
|----------------|-----------------|----|----|------|----|----|----|----|------|------|-------|-----|-------|------|-------|------|-----|
| | A | B | C | ØD | Ød | d1 | E | F | G | H | I | J | K | L | M | N | Ø |
| LV 16 A | | | | | | | | | | | | | | | | | |
| 2P+E | 70 | 70 | 35 | 76.2 | - | - | 84 | 84 | 33.5 | 42 | 94 | 4.5 | 88 | 42.5 | 114 | 42 | 4.2 |
| 3P+E | 70 | 70 | 35 | 76.2 | - | - | 84 | 84 | 35.5 | 43 | 101 | 4.5 | 94.5 | 46 | 118 | 42 | 4.2 |
| 3P+N+E | 70 | 70 | 35 | 76.2 | - | - | 84 | 84 | 36.5 | 44 | 108.5 | 4.5 | 101 | 50 | 123 | 42.5 | 4.2 |
| LV 32 A | | | | | | | | | | | | | | | | | |
| 2P+E/3P+E | 70 | 70 | 35 | 76.2 | - | - | 84 | 94 | 41.5 | 50.5 | 118 | 4.5 | 105.5 | 54.5 | 129.5 | 47.5 | 4.2 |
| 3P+N+E | 70 | 70 | 35 | 76.2 | 8 | 36 | 84 | 94 | 42.5 | 51.5 | 124.5 | 4.5 | 112 | 57.5 | 137 | 51 | 4.2 |

Appliance inlets (p. 14)

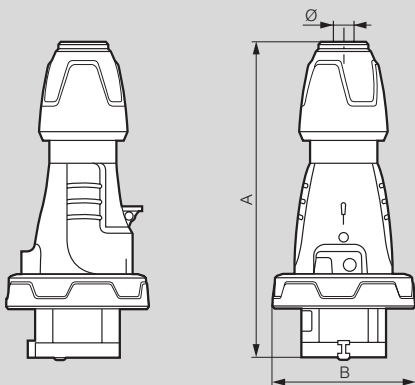


| | Weight (kg) | A/B | C/D | F | G | H | CE | Ø |
|----------------|-------------|-----|-----|-----|-----|----|------|-----|
| LV 16 A | | | | | | | | |
| 2P+E | 0.188 | 84 | 72 | 87 | 126 | 34 | M 20 | 4.3 |
| 3P+E | 0.257 | 84 | 72 | 95 | 134 | 34 | M 20 | 4.3 |
| 3P+N+E | 0.297 | 84 | 72 | 100 | 141 | 34 | M 20 | 4.3 |
| LV 32 A | | | | | | | | |
| 2P+E | 0.370 | 110 | 98 | 107 | 168 | 39 | M 25 | 5.3 |
| 3P+E | 0.413 | 110 | 98 | 113 | 168 | 39 | M 25 | 5.3 |

P 17 Tempra Pro IP 66/67 LV 16 and 32 A - mobile products

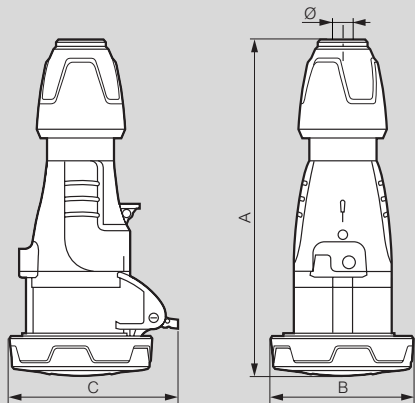
Dimensions

Straight plugs (p. 14)



| | A | B | Ø |
|----------------|------------|------|--------------|
| LV 16 A | | | |
| 2P+E | 146 to 157 | 72.5 | 6.5 to 14 |
| 3P+E | 146 to 157 | 80.5 | 7.10 to 15.5 |
| 3P+N+E | 163 to 176 | 89 | 8 to 20 |
| LV 32 A | | | |
| 2P+E | 172 to 185 | 93 | 8 to 20 |
| 3P+E | 172 to 185 | 93 | 8 to 20 |
| 3P+N+E | 179 to 189 | 100 | 11.9 to 22.2 |

Mobile sockets (p. 14)



| | A | B | C | Ø |
|----------------|------------|------|-------|--------------|
| LV 16 A | | | | |
| 2P+E | 159 to 170 | 72.5 | 86 | 6.5 to 14 |
| 3P+E | 159 to 170 | 80.5 | 93 | 7.1 to 15.5 |
| 3P+N+E | 179 to 190 | 89 | 100 | 8 to 20 |
| LV 32 A | | | | |
| 2P+E | 187 to 200 | 93 | 104 | 8 to 20 |
| 3P+E | 187 to 200 | 93 | 104 | 8 to 20 |
| 3P+N+E | 192 to 205 | 100 | 110.5 | 11.9 to 22.2 |

P 17 Tempra IP 66/67 - LV 63 A

Characteristics

Terminal connection:

- Panel and surface mounting sockets
63 A: max. 1 x 25 mm² rigid - 125 A: max. 1 x 70 mm² rigid
- Appliance inlets:
63 A: max. 1 x 16 mm² rigid - 125 A: max. 1 x 50 mm² rigid
- Plugs and mobile sockets:
63 A: max. 1 x 16 mm² flexible - 125 A: max. 1 x 50 mm² flexible

IP 66/67 according to IEC 60529 and EN 60529

IK 09 according to IEC 62262 and EN 62262

Material: plastic

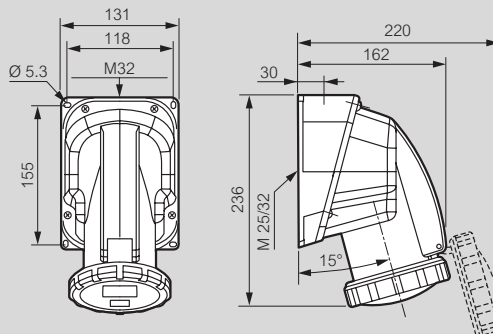
Self-extinguishing: 850 °C (support of active parts) / 650 °C (plastic housing)

Temp. rating: - 25 °C to + 40 °C. Conform to IEC 60309-1 and IEC 60309-2

Dimensions

Surface mounting sockets (p. 15)

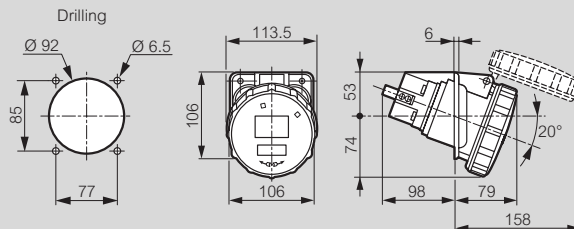
Cat.Nos 0 587 40/44/45



| | Weight (kg) |
|--------|-------------|
| 3P+E | 0.900 |
| 3P+N+E | 0.950 |

Panel mounting sockets (inclined outlet) (p. 15)

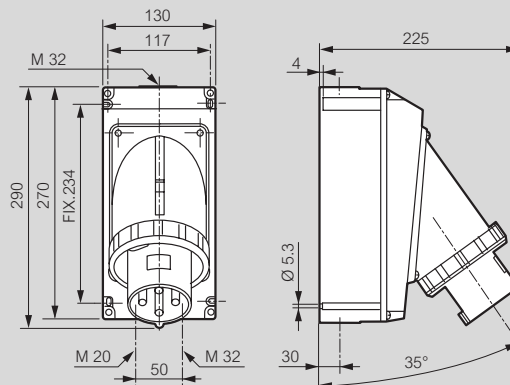
Cat.Nos 0 587 20/24/25



| | Weight (kg) |
|--------|-------------|
| 3P+E | 0.710 |
| 3P+N+E | 0.770 |

Appliance inlets (p. 15)

Cat.Nos 0 587 30/34/35



| | Weight (kg) |
|--------|-------------|
| 3P+E | 1.540 |
| 3P+N+E | 1.610 |

P 17 Tempra IP 66/67 - LV 125 A

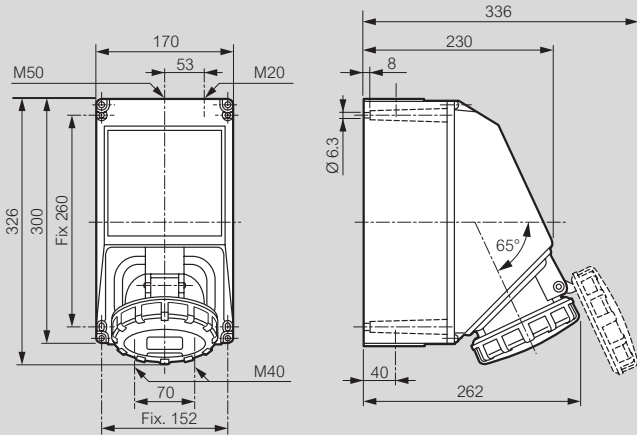
P 17 Tempra IP 66/67 - LV 63 and 125 A

mobile products

Dimensions

Surface mounting sockets (p. 15)

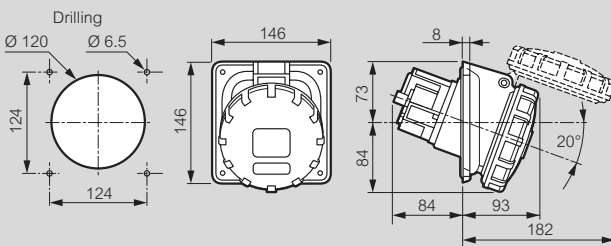
Cat.Nos 0 591 06/07



| | Weight (kg) |
|--------|-------------|
| 3P+E | 2.600 |
| 3P+N+E | 2.730 |

Surface mounting sockets (p. 15)

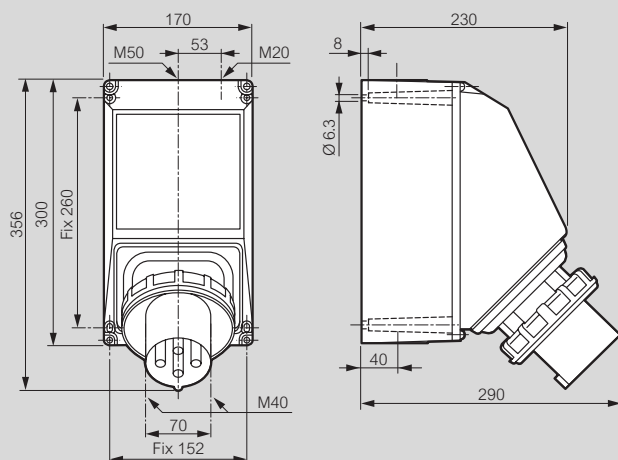
Cat.Nos 0 591 16/17



| | Weight (kg) |
|--------|-------------|
| 3P+E | 1.000 |
| 3P+N+E | 1.200 |

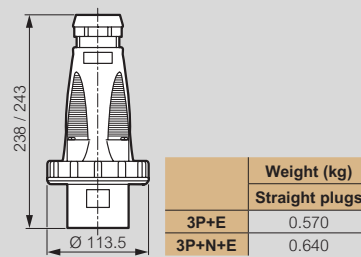
Appliance inlets (p. 15)

Cat.Nos 0 591 46/47



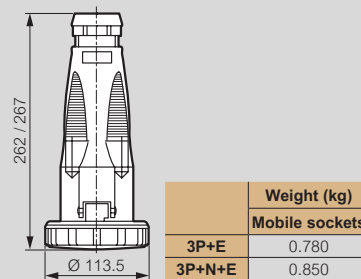
Dimensions LV 63 A

Straight plugs (p. 15)



| | Weight (kg) |
|----------------|-------------|
| Straight plugs | |
| 3P+E | 0.570 |
| 3P+N+E | 0.640 |

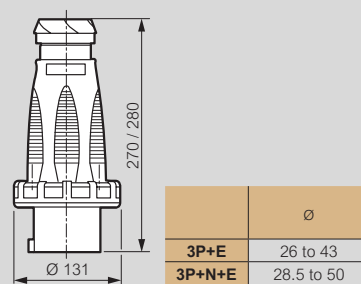
Mobile sockets (p. 15)



| | Weight (kg) |
|----------------|-------------|
| Mobile sockets | |
| 3P+E | 0.780 |
| 3P+N+E | 0.850 |

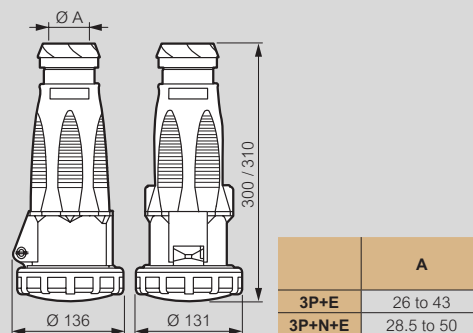
Dimensions LV 125 A

Straight plugs (p. 15)



| | Ø |
|--------|------------|
| 3P+E | 26 to 43 |
| 3P+N+E | 28.5 to 50 |

Mobile sockets (p. 15)



| | A |
|--------|------------|
| 3P+E | 26 to 43 |
| 3P+N+E | 28.5 to 50 |

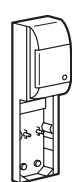
P17 Tempra combined units to be composed

- IK 08 according to IEC 62262
- Self-extinguishing: 650 °C
- Max. IP 66



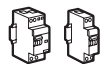
Bases and faceplates dimensions p. 24

Example of combined unit configuration



base

+



MCCBs, RCDs

+



faceplate

+



sockets

=



combined unit

COMBINED UNITS HEIGHT 220 MM TO 441 MM

BASES FOR 220 x 125 MM FACEPLATES - MAX IP 66

| Surface mounting box | Base up to 2 sockets 16 A | Base up to 4 sockets 16 A | Base up to 6 sockets 16 A |
|-----------------------------|--|---|---|
| | | | |
| 220 x 125 mm ⁽⁴⁾ | 371 x 125 mm ⁽⁴⁾ Rail 5 modules 17.5 mm | 441 x 265 mm ⁽⁴⁾ Rail 12 modules 17.5 mm | 441 x 405 mm ⁽⁴⁾ Rail 18 modules 17.5 mm |
| Pack | Cat.No | Pack | Cat.No |
| 2 | 0 577 10 | 1 | 0 589 38 |
| Pack | Cat.No | Pack | Cat.No |
| 1 | 0 577 05 | 1 | 0 577 06 |

220 X 125 MM FACEPLATES

| 1 socket 16 or 32 A | 2 sockets 16 A | 1 socket 63 A | Plain plate |
|---------------------|----------------|---------------|-------------------------|
| | | | |
| Pack | Cat.No | Pack | Cat.No |
| 5 | 0 577 12 | 5 | 0 577 13 ⁽¹⁾ |
| Pack | Cat.No | Pack | Cat.No |
| 2 | 0 577 17 | 5 | 0 577 15 |

COMBINED UNITS HEIGHT 280 MM TO 501 MM

BASES FOR 280 x 125 MM FACEPLATES - MAX IP 66

| Surface mounting box | Base up to 3 sockets 16 A | Base up to 6 sockets 16 A | Base up to 9 sockets 16 A |
|-----------------------------|--|---|---|
| | | | |
| 280 x 125 mm ⁽⁴⁾ | 421 x 125 mm ⁽⁴⁾ Rail 5 modules 17.5 mm | 501 x 265 mm ⁽⁴⁾ Rail 12 modules 17.5 mm | 501 x 405 mm ⁽⁴⁾ Rail 18 modules 17.5 mm |
| Pack | Cat.No | Pack | Cat.No |
| 3 | 0 577 11 | 1 | 0 577 20 |
| Pack | Cat.No | Pack | Cat.No |
| 1 | 0 577 03 | 1 | 0 577 04 |

280 x 125 MM FACEPLATE

| 2 sockets 16 or 32 A | 2 interlocked switched sockets 16 A (p. 16) | 1 socket 16 or 32 A and 1 socket 63 A | 3 sockets 16 A ⁽²⁾ | Plain plate | |
|----------------------|---|---------------------------------------|-------------------------------|-------------|-------------------------|
| | | | | | |
| Pack | Cat.No | Pack | Cat.No | Pack | Cat.No |
| 4 | 0 577 18 ⁽¹⁾ | 1 | 0 577 23 | 2 | 0 577 19 ⁽¹⁾ |
| Pack | Cat.No | Pack | Cat.No | Pack | Cat.No |
| 4 | 0 577 14 ⁽¹⁾ | 4 | 0 577 16 | | |

1: Supplied with blanking plate - 2: To be fixed horizontally except 16 A domestic pin sockets, vertically (IP 44 - connected) - 3: IP 54 cover closed - IP 44 connected
4: External dimensions: H x W - 5: Interlocked switched socket with small flange - 6: IP 55 - Interlocked switched socket with small flange



0 577 04 with emergency stop button, appliance inlet and interlocked switched sockets



0 577 20 with interlocked switched sockets

EXAMPLE OF SOCKETS

| ELV (p. 17) | | | IP 44 | | |
|----------------------|------|--------|----------------------|----------|--|
| 20/25 V~ | 16 A | 2P | 0 552 45 | | |
| | 32 A | 2P | 0 552 95 | | |
| Domestic pin (p. 17) | | | IP 54 ⁽³⁾ | | |
| 250 V | 16 A | 2P+E | 0 576 72/76 | | |
| LV (p. 14 to 19) | | | IP 44 | IP 66-67 | |
| 100/130 V~ | 16 A | 2P+E | 5 551 81 | - | |
| | 16 A | 2P+E | 5 551 84 | 5 553 84 | |
| 200/250 V~ | 32 A | 2P+E | 5 552 84 | 5 554 84 | |
| | 63 A | 2P+E | - | 0 587 20 | |
| 380/415 V~ | 16 A | 3P+E | 5 551 88 | 5 553 88 | |
| | | 3P+N+E | 5 551 89 | 5 553 89 | |
| | 32 A | 3P+E | 5 552 88 | 5 554 88 | |
| | | 3P+N+E | 5 552 89 | 5 554 89 | |
| | 63 A | 3P+E | - | 0 587 24 | |
| | | 3P+N+E | - | 0 587 25 | |

Possible combinations with bases for 220 x 125 mm faceplates

| Cat.No | Nb of sockets | Intensity | | | Number of faceplates | | | |
|-------------------------|---------------|-----------|--------------|------|----------------------|----------|----------|---|
| | | 16 A | 16 A or 32 A | 63 A | 0 577 12 | 0 577 13 | 0 577 17 | |
| With box or base | | | | | | | | |
| 0 577 10 or 0 589 38 | 1 socket | - | 1 | - | 1 | - | - | |
| | 2 sockets | 2 | - | - | - | 1 | - | |
| 0 577 05 | 2 sockets | - | 2 | - | 2 | - | - | |
| | | - | 1 | 1 | 1 | - | 1 | |
| | 3 sockets | 2 | 1 | - | 1 | 1 | - | |
| | | 2 | - | 1 | - | 1 | 1 | |
| | 4 sockets | 4 | - | - | - | - | 2 | - |
| | | - | 3 | - | - | 3 | - | - |
| 0 577 06 | 3 sockets | - | - | 3 | - | - | 3 | |
| | | - | 1 | 2 | 1 | - | 2 | |
| | | - | 2 | 1 | 2 | - | 1 | |
| | 4 sockets | 2 | 1 | 1 | 1 | 1 | 1 | |
| | | 2 | 2 | - | 2 | 1 | - | |
| | | 2 | - | 2 | - | - | 1 | 2 |
| | 5 sockets | 4 | 1 | - | 1 | 2 | - | |
| | | 4 | - | 1 | - | - | 2 | 1 |
| 6 sockets | 6 | - | - | - | 3 | - | | |

EXAMPLE OF SOCKETS

| ELV (p. 17) | | | IP 44 | | |
|----------------------|------|--------|-------------------------|-------------------------|--|
| 20/25 V~ | 16 A | 2P | 0 552 45 | | |
| | 32 A | 2P | 0 552 95 | | |
| Domestic pin (p. 17) | | | IP 54 ⁽³⁾ | | |
| 250 V | 16 A | 2P+E | 0 576 72/76 | | |
| LV (p. 14 to 19) | | | IP 44 | IP 66-67 | |
| 100/130 V~ | 16 A | 2P+E | 5 551 81 | - | |
| | 16 A | 2P+E | 5 551 84 | 5 553 84 | |
| 200/250 V~ | 32 A | 2P+E | 5 552 84 | 5 554 84 | |
| | 63 A | 2P+E | - | 0 587 20 | |
| 380/415 V~ | 16 A | 3P+E | 5 551 88 | 5 553 88 | |
| | | 3P+N+E | 0 573 01 ⁽⁵⁾ | 0 573 21 ⁽⁶⁾ | |
| | 32 A | 3P+N+E | 5 551 89 | 5 553 89 | |
| | | 3P+E | 5 552 88 | 5 554 88 | |
| | 63 A | 3P+E | - | 0 587 24 | |
| | | 3P+N+E | - | 0 587 25 | |

Possible combinations with bases for 280 x 125 mm faceplates

| Cat.No | Nb of sockets | Intensity | | | Number of faceplates | | | |
|-------------------------------|---------------------------|-----------|--------------|------|----------------------|----------|----------|----------|
| | | 16 A | 16 A or 32 A | 63 A | 0 577 18 | 0 577 23 | 0 577 19 | 0 577 14 |
| Avec boîtier ou embase | | | | | | | | |
| 0 577 11 or 0 577 20 | 2 sockets | - | 2 | - | 1 | - | - | - |
| | 2 interlocked sw. sockets | - | 1 | 1 | - | - | 1 | - |
| | 3 sockets | - | - | - | - | - | - | 1 |
| 0 577 03 | 4 sockets | - | 4 | - | 2 | - | - | - |
| | | - | 2 | 2 | - | - | 2 | - |
| | - | 3 | 1 | 1 | - | - | 1 | - |
| | 4 interlocked sw. sockets | - | - | - | - | 2 | - | - |
| | 5 sockets | 3 | 1 | 1 | - | - | 1 | 1 |
| 0 577 04 | 6 sockets | 3 | 2 | - | 1 | - | - | 1 |
| | | 6 | - | - | - | - | - | 2 |
| | - | 6 | - | 3 | - | - | - | - |
| | - | 3 | 3 | - | - | - | 3 | - |
| | - | 5 | 1 | 2 | - | - | 1 | - |
| | - | 4 | 2 | 1 | - | - | 2 | - |
| | 6 interlocked sw. sockets | - | - | - | - | 3 | - | - |
| | 7 sockets | 3 | 2 | 2 | - | - | 2 | 1 |
| | | 3 | 4 | - | 2 | - | - | 1 |
| 8 sockets | 3 | 3 | 1 | 1 | - | - | 1 | |
| | 6 | 1 | 1 | - | - | 1 | 2 | |
| | 6 | 2 | - | 1 | - | - | 2 | |
| 9 sockets | 9 | - | - | - | - | - | 3 | |

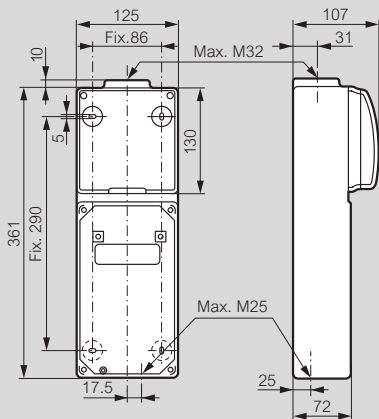
P 17 Tempra combined units to be composed

■ Dimensions

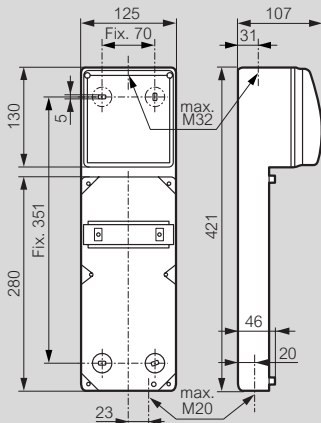
Cable glands are not supplied
Entries to drill

Bases

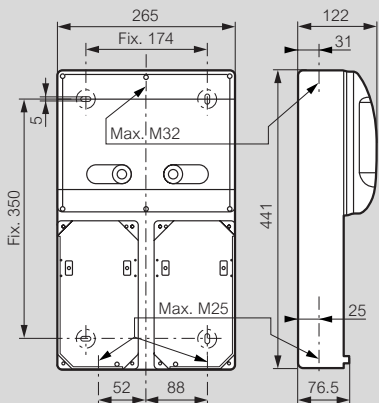
Cat.No 0 589 38



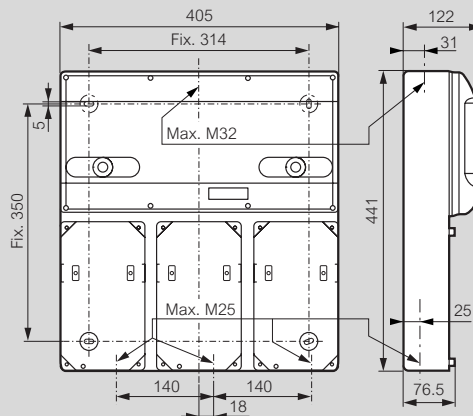
Cat.No 0 577 20



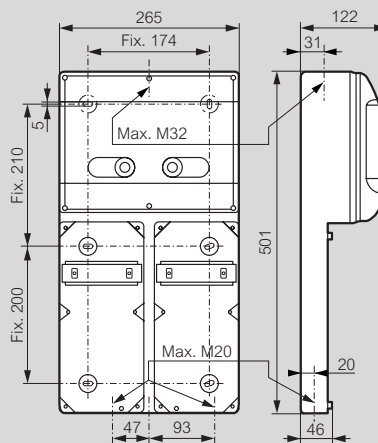
Cat.No 0 577 05



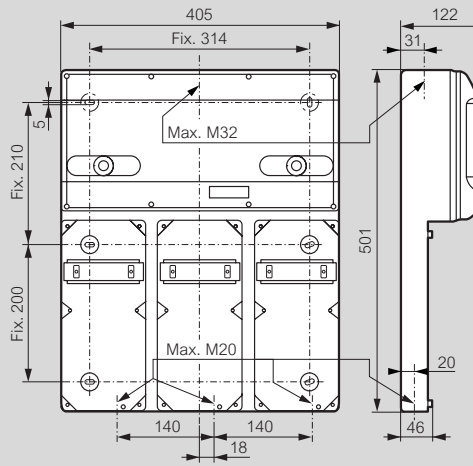
Cat.No 0 577 06



Cat.No 0 577 03

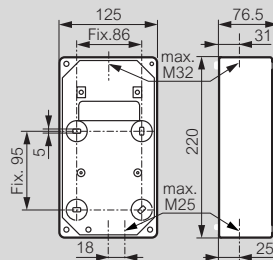


Cat.No 0 577 04

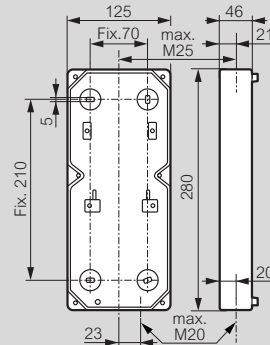


Surface mounting boxes

Cat.No 0 577 10



Cat.No 0 577 11



P 17 Tempra combined units LV 16 to 63 A

interlocked switched sockets

| 16-32 A | | | without rail | | | | with empty Din rail | | | | | |
|--|---------|--------|--------------|----------|---------|----------|---------------------|----------|---------|----------|--|--|
| <ul style="list-style-type: none"> • IP 44, IP 55, IP 66 according to IEC 60529 and EN 60529 • IK 08 according to IEC 62262 • Conform to IEC 60439-1 • Supplied without cable glands • Self-extinguishing: 650 °C | | | 125 x 220 mm | | | | 125 x 280 mm | | | | | |
| | | | IP 44 | | IP 55 | | IP 44 | | IP 66 | | | |
| | | | | | | | | | | | | |
| Pack | Cat.Nos | Pack | Cat.Nos | Pack | Cat.Nos | Pack | Cat.Nos | Pack | Cat.Nos | | | |
| 200 to 250 V ~ 50/60 Hz | 16 A | 2P+E | 1 | 0 566 01 | 1 | 0 566 21 | 1 | 0 566 41 | 1 | 0 566 61 | | |
| | 32 A | 2P+E | 1 | 0 566 09 | 1 | 0 566 29 | 1 | 0 566 49 | 1 | 0 566 69 | | |
| 380 to 415 V ~ 50/60 Hz | 16 A | 3P+E | 1 | 0 566 05 | 1 | 0 566 25 | 1 | 0 566 45 | 1 | 0 566 65 | | |
| | | 3P+N+E | 1 | 0 566 06 | 1 | 0 566 26 | 1 | 0 566 46 | 1 | 0 566 66 | | |
| | 32 A | 3P+E | 1 | 0 566 13 | 1 | 0 566 33 | 1 | 0 566 53 | 1 | 0 566 73 | | |
| | | 3P+N+E | 1 | 0 566 14 | 1 | 0 566 34 | 1 | 0 566 54 | 1 | 0 566 74 | | |
| 63 A | | | without rail | | | | with empty Din rail | | | | | |
| <ul style="list-style-type: none"> • IP 66 according to IEC 60529 and EN 60529 • IK 08 according to IEC 62262 • Conform to IEC 60439-1 • Supplied without cable glands • Self-extinguishing: 650 °C | | | IP 66 | | | | IP 66 | | | | | |
| | | | | | | | | | | | | |
| | | | Pack | Cat.Nos | Pack | Cat.Nos | Pack | Cat.Nos | Pack | Cat.Nos | | |
| 380 to 415 V ~ 50/60 Hz | 63 A | 3P+E | 1 | 0 572 98 | 1 | 0 589 18 | | | | | | |
| | | 3P+N+E | 1 | 0 589 10 | 1 | 0 572 99 | | | | | | |

110 VA combined units
Please consult us

Interlocked switched sockets with small flange **p. 12**

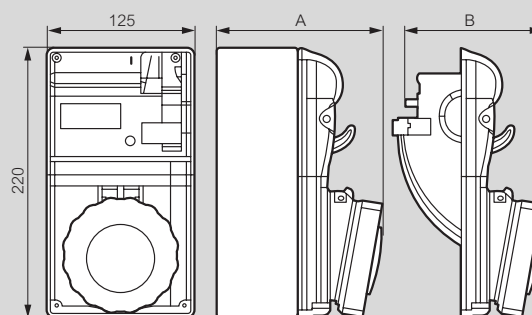


P 17 Tempra combined units LV 16 to 63 A

interlocked switched sockets

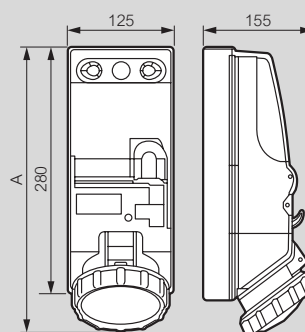
Dimensions

Without rail
LV 16/32 A



| | | IP 44 Cat.Nos | Dimensions (mm) | | IP 55 Cat.Nos | Dimensions (mm) | |
|---------|--------|------------------|-----------------|-----|------------------|-----------------|-----|
| | | | A | B | | A | B |
| LV 16 A | 2P+E | 0 566 01 | 127 | 122 | 0 566 21 | 133 | 128 |
| | 3P+E | 0 566 05 | 129 | 124 | 0 566 25 | 134 | 129 |
| | 3P+N+E | 0 566 06 | 130 | 125 | 0 566 26 | 135 | 130 |
| LV 32 A | 2P+E | 0 566 09 | 138 | 133 | 0 566 29 | 143 | 138 |
| | 3P+E | 0 566 13 | 138 | 133 | 0 566 33 | 143 | 138 |
| | 3P+N+E | 0 566 14 | 139 | 134 | 0 566 34 | 144 | 139 |

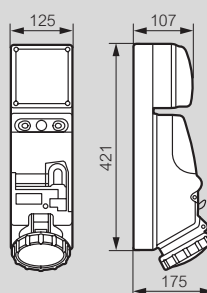
With empty Din rail
LV 16/32 A



| | A | |
|---------|-------|-------|
| | IP 44 | IP 66 |
| LV 16 A | 290 | 300 |
| LV 32 A | 295 | 310 |

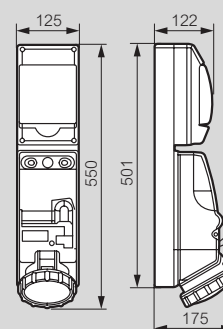
LV 63 A

Cat.Nos 0 572 98 and 0 589 10



LV 63 A

Cat.Nos 0 589 18 and 0 572 99



P 17 worksites combined units

individual units



0 589 44

0 589 45

0 589 43

Technical characteristics p. 27

Conforming to standard IEC 60439-4 and the decree of 14 November 1988 on the protection of workers, and to the recommendations of the OPPBTP (French professional organisation for accident prevention in building and civil engineering)

Provide temporary power supplies on building sites and for events
RAL 7016 and RAL 7035

| Pack | Cat.Nos | Individual units |
|------|----------|---|
| 1 | 0 589 44 | <p>Worksite combined units with integrated handle (can be fitted with security chain), to provide a power supply for portable electric tools Material: body ABS - window polycarbonate Operating temperature: - 25 °C to + 40 °C Easy to hang on a wall without having to open the unit (fixed via the outside of the unit) Replaceable window (spare part on request) Notches on each side for winding up the cord The cord can be locked for transport Dimensions (H x W): 506.5 x 181.5 mm</p> <p>With 6 sockets IP 54 - body IK 10 Composition: - 6 x 2P+E 16 A, German standard sockets (Cat.No 0 576 75) - Protection by 30 mA 2-pole RCBO With 3 m cord Fitted with a domestic pin plug</p> |
| 1 | 0 589 45 | <p>With 3 sockets IP 55 - body IK 10 Composition : - 2 x 2P+E 16 A, German standard sockets with transparent cover - 1 x 3P+E 16 A, 380/415 V~, IP 67 panel mounting socket - Protection by 30 mA 4-pole RCBO To be equipped with 3G 2.5 mm² cable, connected as follows: - protective conductor on terminal block - power supply on the terminals of the RCBO</p> |
| 1 | 0 589 43 | <p>To be equipped IP 44 - body IK 10 Can take up to 3 x 16 A max. sockets : - P 17 domestic pin configuration panel mounting sockets Cat.Nos 0 576 72 or 0 576 76 - P 17 panel mounting sockets, LV 16 A IEC, with standard fixing centres (horizontal fitting) - Plate with Osmoz emergency stop button Cat.No 0 577 40 or emergency break button Cat.No 0 577 45 - 1 adaptor Cat.No 0 539 48 to be equipped with Mosaic or Arteor wiring devices (except special surface mounting type) Supplied with 2 blanking plates Equipped with: - IP 2X terminal block for connecting the protective conductor - A rail taking up to 6 x 17.5 mm DIN modules</p> |

P 17 worksites combined units

floor cabinet



0 589 57

0 577 43 - example of installation with floor cabinet

Technical characteristics p. 27

Conforming to standard IEC 60439-4 and the decree of 14 November 1988 on the protection of workers, and to the recommendations of the OPPBTP (French professional organisation for accident prevention in building and civil engineering)

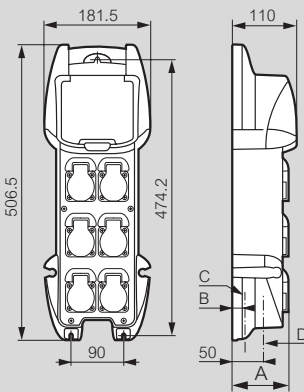
Provide temporary power supplies on building sites and for events
RAL 7016 and RAL 7035

| Pack | Cat.Nos | Floor cabinet |
|------|----------|--|
| 1 | 0 589 57 | <p>IP 44 - enclosure IK 09 Material: body ABS - window polycarbonate Operating temperature: - 25 °C to + 40 °C Easy to hook on a wall without having to open the unit (fixed via the outside of the unit) or on frame Cat.No 0 577 43 Replaceable window (spare part on request) Pre-marked for optional addition of: - 2 cable entries (max. M32) on the bottom and 1 on each side of the unit - 1 additional P 17 domestic pin socket on each side of the unit Notches on each side for winding up the cable (not supplied), can be wound round the frame Option of adding a padlock Cat.No 0 044 43 to lock the window Dimensions (H x W): 479.6 x 431 mm</p> <p>To be equipped 40 A - 400 VA max. Can take up to 6 sockets: - P 17 panel mounting domestic pin sockets Cat.Nos 0 576 72 or 0 576 76 - P 17 panel mounting sockets, LV 16/32 A IEC, with standard fixing centres - Plate with Osmoz emergency stop button Cat.No 0 577 40 or emergency break button Cat.No 0 577 45 - 1 adaptor Cat.No 0 539 48 to be equipped with Mosaic or Arteor wiring devices (except special surface mounting type) Equipped with: - IP 2X terminal block for connecting the protective conductor - 9 modular blanking plates - 3 blanking plates for sockets</p> |
| 1 | 0 577 40 | <p>Plates with Osmoz buttons Osmoz emergency stop button For cutting off the power supply of the units Plate fixed on pre-drilled faceplate Supplied in parts ready for assembly Supplied with push-pull 2 NC contact block</p> |
| 1 | 0 577 45 | <p>Osmoz emergency break button For cutting off the power supply of the units Plate fixed on pre-drilled faceplate Supplied in parts ready for assembly Supplied with push-pull 1 NO contact block</p> |
| 1 | 0 577 43 | <p>Foldable frame For floor cabinets The unit can be fixed on the frame without opening the unit The unit equipped with its frame can be wall or floor-mounted Can be folded for easy transport and storage</p> |

P17 worksites combined units

Dimensions of individual units

Cat.Nos 0 589 43/44/45

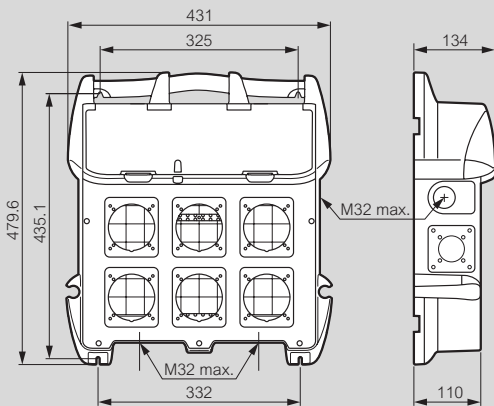


C: Pre-cut cable entry for cable gland (see below table, column C)
D: Cable entry to be drilled (see below table, column D)

| Cat.Nos | A | B | C | D |
|----------|-----|------|-----|---------|
| 0 589 43 | - | 20 | M20 | max M20 |
| 0 589 44 | 96 | 20 | M20 | max M20 |
| 0 589 45 | 125 | 22.5 | M25 | - |

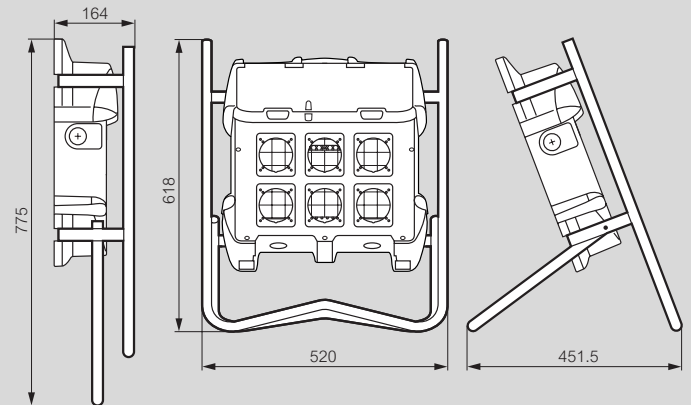
Dimensions of floor cabinets

Cat.No 0 589 57



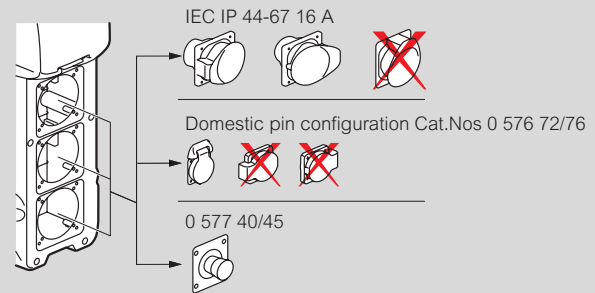
Mounting on foldable frame

Cat.Nos 0 577 43 and 0 589 57

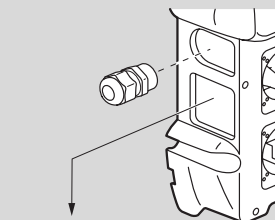
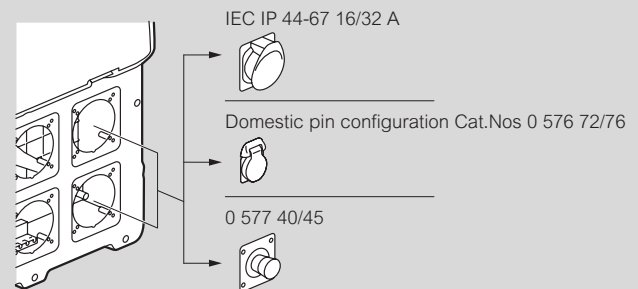


Pre-marking for cable glands and sockets

Cat.Nos 0 589 43/44/45



Cat.No 0 589 57



Domestic pin configuration
Cat.Nos 0 576 72/76



Catalogue number index

| Cat.No | Page | Pack | Cat.No | Page | Pack | Cat.No | Page | Pack | Cat.No | Page | Pack | Cat.No | Page | Pack | Cat.No | Page | Pack |
|-----------------|------|------|-----------------|------|------|-----------------|------|------|----------|------|------|----------|------|------|-----------------|------|------|
| 0 520 00 | | | 0 568 07 | 14 | 5 | 0 581 40 | 12 | 5 | 5 551 05 | 12 | 5 | 5 552 42 | 10 | - | 5 554 34 | 14 | 5 |
| 0 521 05 | | | 08 | - | 5 | 41 | - | 5 | 06 | - | 5 | 43 | - | - | 35 | - | 5 |
| 13 | | | 23 | - | 5 | 0 582 81 | - | 10 | 07 | - | 5 | 51 | 12 | 5 | 36 | - | 5 |
| 0 530 00 | | | 27 | - | 5 | 84 | - | 5 | 08 | - | 10 | 54 | - | 5 | 38 | - | 5 |
| 0 539 48 | | | 28 | - | 5 | 86 | - | 5 | 09 | - | 10 | 55 | - | 5 | 39 | - | 5 |
| 13 | | | 0 570 00 | | | 88 | - | 5 | 10 | 10 | - | 56 | - | 5 | 41 | - | 5 |
| 0 550 00 | | | 0 572 98 | 25 | - | 89 | - | 5 | 12 | - | - | 57 | - | 5 | 42 | 11 | - |
| 0 552 06 | | | 99 | - | - | 0 587 00 | 15 | 2 | 13 | - | - | 58 | - | 10 | 43 | - | - |
| 21 | | | 0 573 00 | 12 | 1 | 01 | 11 | - | 21 | 12 | 10 | 59 | - | 10 | 51 | - | - |
| 31 | | | 01 | - | 1 | 02 | - | - | 22 | - | 5 | 60 | 10 | - | 54 | 14 | 5 |
| 41 | | | 02 | - | 1 | 04 | 15 | 2 | 24 | - | 10 | 62 | - | - | 55 | - | 5 |
| 45 | | | 20 | - | 1 | 05 | - | 2 | 25 | - | 5 | 63 | - | - | 56 | - | 5 |
| 56 | | | 21 | - | 1 | 07 | 11 | - | 26 | - | 5 | 81 | 12 | 5 | 58 | - | 5 |
| 71 | | | 10 | - | - | 10 | 15 | 2 | 27 | - | 5 | 84 | - | 10 | 59 | - | 5 |
| 81 | | | 51 | 10 | - | 11 | 11 | - | 28 | - | 10 | 85 | - | 5 | 62 | 11 | - |
| 91 | | | 54 | 12 | 5 | 12 | - | - | 29 | - | 10 | 86 | - | 5 | 63 | - | - |
| 95 | | | 58 | - | 5 | 14 | 15 | 2 | 30 | 10 | - | 88 | - | 10 | 81 | - | - |
| 0 553 48 | | | 59 | - | 5 | 15 | - | 2 | 32 | - | - | 89 | - | 10 | 84 | 14 | 5 |
| 11 | | | 0 574 40 | - | 5 | 17 | 11 | - | 33 | - | - | 90 | 10 | - | 85 | - | 5 |
| 0 560 00 | | | 41 | - | 5 | 20 | 15 | 2 | 51 | 12 | 5 | 92 | - | - | 86 | - | 5 |
| 0 564 53 | | | 0 575 81 | - | 10 | 21 | 11 | - | 52 | - | 5 | 93 | - | - | 88 | - | 5 |
| 57 | | | 84 | - | 5 | 22 | - | - | 54 | - | 10 | 5 553 01 | 11 | - | 89 | - | 5 |
| 58 | | | 85 | - | 5 | 24 | 15 | 2 | 55 | - | 5 | 04 | 14 | 5 | 91 | - | 5 |
| 73 | | | 86 | - | 5 | 25 | - | 2 | 56 | - | 5 | 05 | - | 5 | 92 | 11 | - |
| 77 | | | 88 | - | 5 | 27 | 11 | - | 57 | - | 5 | 06 | - | 5 | 6 570 00 | | |
| 78 | | | 89 | - | 5 | 30 | 15 | 2 | 58 | - | 10 | 08 | - | 5 | 6 571 06 | 14 | 1 |
| 0 565 03 | | | 0 576 69 | 13 | 20 | 34 | - | 2 | 59 | - | 10 | 09 | - | 5 | | | |
| 23 | | | 72 | - | 20 | 35 | - | 2 | 60 | 10 | - | 12 | 11 | - | | | |
| 28 | | | 75 | - | 20 | 40 | - | 2 | 62 | - | - | 21 | - | - | | | |
| 0 566 01 | | | 76 | - | 20 | 41 | 11 | - | 63 | - | - | 24 | 14 | 5 | | | |
| 05 | | | 0 577 03 | 22 | 1 | 42 | - | - | 81 | 12 | 5 | 25 | - | 5 | | | |
| 06 | | | 04 | - | 1 | 44 | 15 | 2 | 84 | - | 10 | 26 | - | 5 | | | |
| 09 | | | 05 | - | 1 | 45 | - | 2 | 85 | - | 5 | 28 | - | 5 | | | |
| 13 | | | 06 | - | 1 | 0 589 10 | 25 | - | 86 | - | 5 | 29 | - | 5 | | | |
| 14 | | | 10 | - | 2 | 18 | - | - | 88 | - | 10 | 32 | - | - | | | |
| 21 | | | 11 | - | 3 | 38 | 22 | 1 | 89 | - | 10 | 51 | - | - | | | |
| 25 | | | 12 | - | 5 | 43 | 26 | 1 | 90 | 10 | - | 54 | - | 5 | | | |
| 26 | | | 13 | - | 5 | 44 | - | 1 | 92 | - | - | 55 | - | 5 | | | |
| 29 | | | 14 | - | 4 | 45 | - | 1 | 93 | - | - | 56 | - | 5 | | | |
| 33 | | | 15 | - | 5 | 57 | - | 1 | 5 552 11 | 12 | 5 | 58 | - | 5 | | | |
| 34 | | | 16 | - | 4 | 0 590 00 | | | 14 | - | 10 | 59 | - | 5 | | | |
| 41 | | | 17 | - | 2 | 0 591 06 | 15 | 1 | 15 | - | 5 | 62 | 11 | - | | | |
| 45 | | | 18 | - | 4 | 07 | - | 1 | 16 | - | 5 | 81 | - | - | | | |
| 46 | | | 19 | - | 2 | 16 | - | 1 | 17 | - | 5 | 84 | 14 | 5 | | | |
| 49 | | | 20 | - | 1 | 17 | - | 1 | 18 | - | 10 | 85 | - | 5 | | | |
| 53 | | | 21 | 13 | 3 | 26 | - | 1 | 19 | - | 10 | 86 | - | 5 | | | |
| 54 | | | 22 | - | 3 | 27 | - | 1 | 20 | 10 | - | 88 | - | 5 | | | |
| 61 | | | 23 | 22 | 1 | 36 | - | 1 | 22 | - | - | 89 | - | 5 | | | |
| 65 | | | 40 | 26 | 1 | 37 | - | 1 | 23 | - | - | 92 | 11 | - | | | |
| 66 | | | 43 | - | 1 | 46 | - | 1 | 31 | - | 5 | 5 554 14 | 14 | 5 | | | |
| 69 | | | 45 | - | 1 | 47 | - | 1 | 34 | - | 10 | 15 | - | 5 | | | |
| 73 | | | 0 580 00 | | | 5 550 00 | | | 35 | - | 5 | 16 | - | 5 | | | |
| 74 | | | 0 580 54 | 12 | 5 | 5 551 01 | 12 | 10 | 36 | - | 5 | 18 | - | 5 | | | |
| 0 568 00 | | | 58 | - | 5 | 02 | - | 5 | 37 | - | 5 | 19 | - | 5 | | | |
| 03 | | | 59 | - | 5 | 04 | - | 10 | 38 | - | 10 | 21 | 11 | - | | | |
| 04 | | | | | | | | | 39 | - | 10 | 22 | - | - | | | |
| | | | | | | | | | 40 | - | - | 31 | - | - | | | |



FOLLOW US
ALSO ON

@ www.legrand.com

 www.youtube.com/legrand

 [twitter.com/@legrand](https://twitter.com/legrand)

EXB 12070 - October 2013



Head office
and International Department
87045 Limoges Cedex - France
☎ : + 33 (0) 5 55 06 87 87
Fax: + 33 (0) 5 55 06 74 55